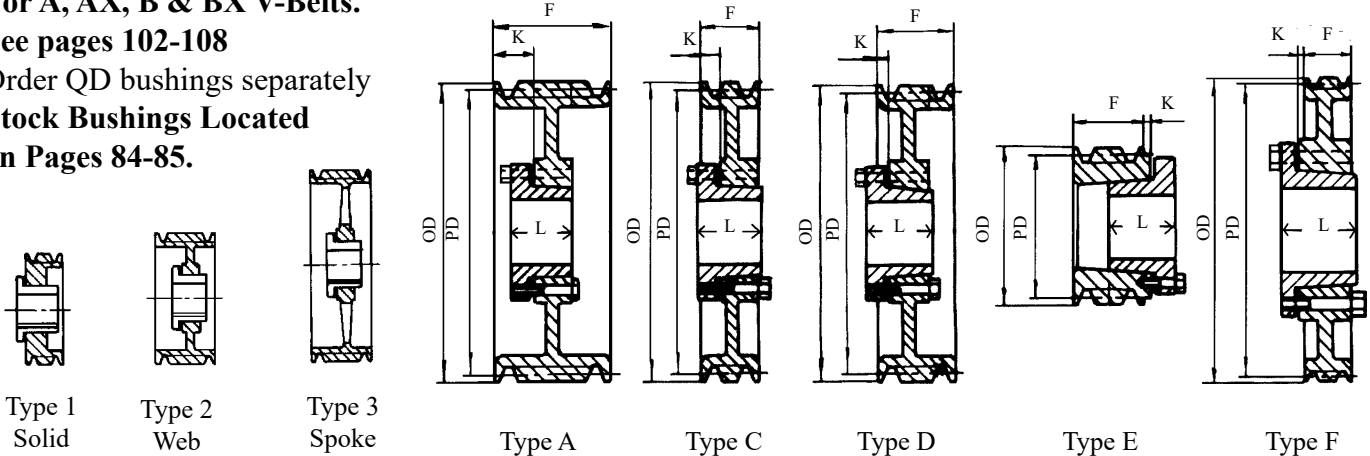


Cast Iron Sheaves - Heavy Duty
Bushed, One and Two Groove
A-B QD Sheaves
Order part number size
Example: 1B34SH



For A, AX, B & BX V-Belts.
See pages 102-108
Order QD bushings separately
Stock Bushings Located
on Pages 84-85.



O.D.	P.D.		1 Groove F = 1B34SH THRU 1B64SDS = 7/8 1B66SDS THRU 1B300SF = 1						2 Groove F = 1 3/4					
	A	B	Part No.	Bush	Type	K	L	WT.	Part No.	Bush	Type	K	L	WT.
3.75	3.00	3.40	1B34SH	SH	D-1	0	1 5/16	1.4	*2B34SH	SH	E-1	0	1 5/16	2.4
3.95	3.20	3.60	1B36SH	SH	D-1	0	1 5/16	1.6	*2B36SH	SH	D-1	3/16	1 5/16	2.7
4.15	3.40	3.80	1B38SH	SH	D-1	0	1 5/16	1.7	*2B38SH	SH	D-1	3/16	1 5/16	2.9
4.35	3.60	4.00	1B40SH	SH	C-1	1/16	1 5/16	1.9	+2B40SH	SH	A-1	11/16	1 5/16	3.2
4.55	3.80	4.20	1B42SH	SH	C-1	1/16	1 5/16	2.2	+2B42SH	SH	A-1	11/16	1 5/16	3.7
4.75	4.00	4.40	1B44SH	SH	C-1	1/16	1 5/16	2.5	2B44SH	SH	A-1	11/16	1 5/16	4.1
4.95	4.20	4.60	1B46SDS	SDS	C-1	1/8	1 5/16	2.5	2B46SDS	SDS	A-1	11/16	1 5/16	4.2
5.15	4.40	4.80	1B48SDS	SDS	C-1	1/8	1 5/16	2.8	2B48SDS	SDS	A-1	11/16	1 5/16	4.6
5.35	4.60	5.00	1B50SDS	SDS	C-1	1/8	1 5/16	3.1	2B50SDS	SDS	A-1	11/16	1 5/16	5.0
5.55	4.80	5.20	1B52SDS	SDS	C-1	1/8	1 5/16	3.3	2B52SDS	SDS	A-1	11/16	1 5/16	5.4
5.75	5.00	5.40	1B54SDS	SDS	C-1	1/8	1 5/16	3.7	2B54SDS	SDS	A-1	11/16	1 5/16	5.8
5.95	5.20	5.60	1B56SDS	SDS	C-1	1/8	1 5/16	4.2	2B56SDS	SDS	A-1	11/16	1 5/16	6.1
6.15	5.40	5.80	1B58SDS	SDS	C-1	1/8	1 5/16	3.9	2B58SDS	SDS	A-1	11/16	1 5/16	6.1
6.35	5.60	6.00	1B60SDS	SDS	C-2	1/8	1 5/16	4.0	2B60SDS	SDS	A-2	11/16	1 5/16	6.4
6.55	5.80	6.20	1B62SDS	SDS	C-2	1/8	1 5/16	4.2	2B62SDS	SDS	A-2	11/16	1 5/16	6.7
6.75	6.00	6.40	1B64SDS	SDS	C-2	1/8	1 5/16	4.3	2B64SDS	SDS	A-2	11/16	1 5/16	7.1
6.95	6.20	6.60	1B66SDS	SDS	C-2	1/4	1 5/16	5.1	2B66SDS	SDS	A-2	11/16	1 5/16	7.6
7.15	6.40	6.80	1B68SDS	SDS	C-2	1/4	1 5/16	5.3	2B68SDS	SDS	A-2	11/16	1 5/16	7.8
7.35	6.60	7.00	1B70SDS	SDS	C-2	1/4	1 5/16	5.6	2B70SK	SK	D-2	7/16	1 15/16	9.5
7.75	7.00	7.40	1B74SDS	SDS	C-2	1/4	1 5/16	6.0	2B74SK	SK	D-2	7/16	1 15/16	10.2
8.35	7.60	8.00	1B80SDS	SDS	C-2	1/4	1 5/16	6.6	2B80SK	SK	D-2	7/16	1 15/16	10.8
8.95	8.20	8.60	1B86SDS	SDS	C-3	1/4	1 5/16	6.8	2B86SK	SK	D-3	7/16	1 15/16	11.7
9.35	8.60	9.00	1B90SDS	SDS	C-3	1/4	1 5/16	7.0	2B90SK	SK	D-3	7/16	1 15/16	13.0
9.75	9.00	9.40	1B94SDS	SDS	C-3	1/4	1 5/16	7.4	2B94SK	SK	D-3	7/16	1 15/16	13.2
11.35	10.60	11.00	1B110SDS	SDS	C-3	1/4	1 5/16	10.5	2B110SK	SK	D-3	7/16	1 15/16	16.4
12.75	12.00	12.40	1B124SDS	SDS	C-3	1/4	1 5/16	11.5	2B124SK	SK	D-3	7/16	1 15/16	18.3
13.95	13.20	13.60	1B136SDS	SDS	C-3	1/4	1 5/16	12.9	2B136SK	SK	D-3	7/16	1 15/16	20.3
15.75	15.00	15.40	1B154SK	SK	F-3	1/4	1 15/16	17.1	2B154SK	SK	D-3	7/16	1 15/16	23.8
16.35	15.60	16.00	1B160SK	SK	F-3	1/4	1 15/16	18.6	2B160SK	SK	D-3	7/16	1 15/16	24.3
18.75	18.00	18.40	1B184SK	SK	F-3	1/4	1 15/16	23.8	2B184SK	SK	D-3	7/16	1 15/16	31.8
20.35	19.60	20.00	1B200SK	SK	F-3	1/4	1 15/16	27.0	2B200SF	SF	D-3	3/8	2 1/16	33.4
25.35	24.60	25.00	1B250SF	SF	F-3	1/4	2 1/16	39.0	2B250SF	SF	D-3	3/8	2 1/16	45.0
30.35	29.60	30.00	1B300SF	SF	F-3	1/4	2 1/16	57.0	2B300SF	SF	D-3	3/8	2 1/16	71.2
38.35	37.60	38.00							2B380SF	SF	D-3	3/8	2 1/16	103.0

* = Can only be mounted from one direction.

+ = Includes cap screws to be used in place of the ones that come with the bushing.

Note: Cast iron sheaves may not exceed 6500 FPM. This speed

DOES NOT specify if dynamic balancing (2 plane) is required.

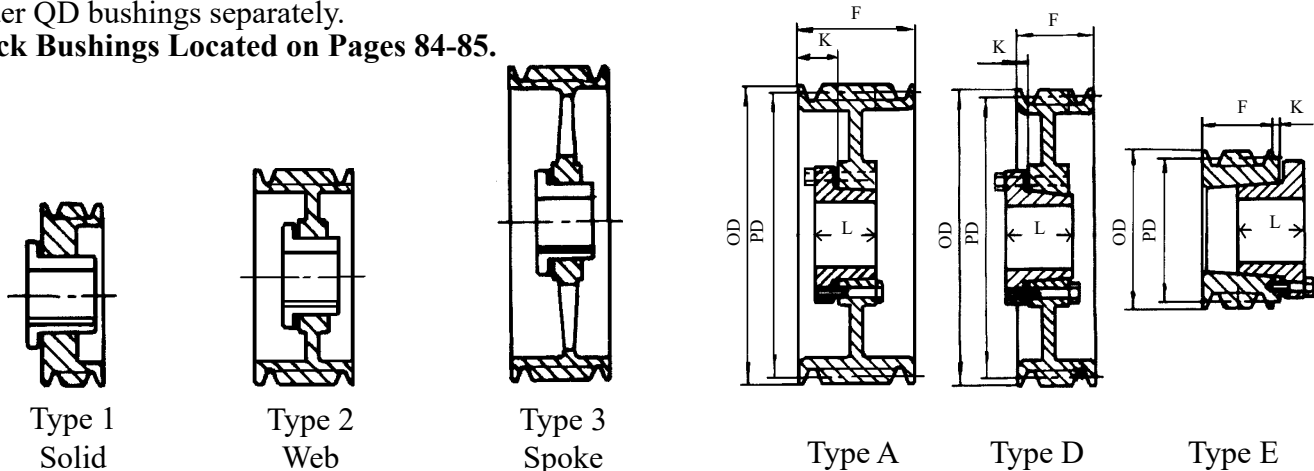
Contact customer service to verify whether dynamic balancing is required.

QD Bushing Sheaves

Cast Iron Sheaves - Heavy Duty
Bushed, Three and Four Groove
A-B QD Sheaves
Order part number size
Example: 3B34SH



For A, AX, B & BX V-Belts. See pages 102-108.
Order QD bushings separately.
Stock Bushings Located on Pages 84-85.



O.D.	P.D.		3 Groove F = 2 1/2					4 Groove F = 3 1/4						
	A	B	Part No.	Bush	Type	K	L	WT.	Part No.	Bush	Type	K	L	WT.
3.75	3.00	3.40	*3B34SH	SH	E-1	0	1 5/16	3.3	*+4B34SD	SD	E-1	5/16	1 13/16	4.3
3.95	3.20	3.60	*3B36SH	SH	D-1	3/16	1 5/16	3.6	*+4B36SD	SD	E-1	5/16	1 13/16	4.8
4.15	3.40	3.80	*3B38SH	SH	D-1	3/16	1 5/16	3.8	*+4B38SD	SD	E-1	5/16	1 13/16	5.2
4.35	3.60	4.00	+3B40SH	SH	A-1	1 1/16	1 5/16	4.2	*4B40SD	SD	E-1	0	1 13/16	5.6
4.55	3.80	4.20	+3B42SH	SH	A-1	1 1/16	1 5/16	4.8	*4B42SD	SD	E-1	0	1 13/16	6.2
4.75	4.00	4.40	3B44SH	SH	A-1	1 1/16	1 5/16	5.3	*4B44SD	SD	E-1	0	1 13/16	6.6
4.95	4.20	4.60	+3B46SD	SD	A-1	1 1/16	1 13/16	6.0	+4B46SD	SD	A-1	1 5/16	1 13/16	7.2
5.15	4.40	4.80	3B48SD	SD	A-1	1 1/16	1 13/16	6.5	4B48SD	SD	A-1	1 5/16	1 13/16	7.9
5.35	4.60	5.00	3B50SD	SD	A-1	1 1/16	1 13/16	7.2	4B50SD	SD	A-1	1 5/16	1 13/16	8.4
5.55	4.80	5.20	3B52SD	SD	A-1	1 1/16	1 13/16	7.8	4B52SD	SD	A-1	1 5/16	1 13/16	9.2
5.75	5.00	5.40	3B54SD	SD	A-1	1 1/16	1 13/16	8.4	4B54SD	SD	A-1	1 5/16	1 13/16	9.8
5.95	5.20	5.60	3B56SD	SD	A-1	1 1/16	1 13/16	9.0	4B56SD	SD	A-1	1 5/16	1 13/16	10.7
6.15	5.40	5.80	3B58SD	SD	A-1	1 1/16	1 13/16	9.7	4B58SD	SD	A-1	1 5/16	1 13/16	11.4
6.35	5.60	6.00	3B60SD	SD	A-1	1 1/16	1 13/16	8.9	4B60SD	SD	A-1	1 5/16	1 13/16	10.9
6.55	5.80	6.20	3B62SD	SD	A-2	1 1/16	1 13/16	9.4	4B62SD	SD	A-2	1 5/16	1 13/16	11.3
6.75	6.00	6.40	3B64SD	SD	A-2	1 1/16	1 13/16	9.7	4B64SD	SD	A-2	1 5/16	1 13/16	11.7
6.95	6.20	6.60	3B66SD	SD	A-2	1 1/16	1 13/16	10.0	4B66SD	SD	A-2	1 5/16	1 13/16	12.2
7.15	6.40	6.80	3B68SD	SD	A-2	1 1/16	1 13/16	11.1	4B68SD	SD	A-2	1 5/16	1 13/16	13.0
7.35	6.60	7.00	3B70SK	SK	A-2	1 1/16	1 15/16	11.4	4B70SK	SK	A-2	1	1 15/16	13.7
7.75	7.00	7.40	3B74SK	SK	A-2	1 1/16	1 15/16	12.5	4B74SK	SK	A-2	1	1 15/16	14.8
8.35	7.60	8.00	3B80SK	SK	A-2	1 1/16	1 15/16	13.6	4B80SK	SK	A-2	1	1 15/16	16.3
8.95	8.20	8.60	3B86SK	SK	A-3	1 1/16	1 15/16	14.6	4B86SK	SK	A-3	1	1 15/16	17.7
9.35	8.60	9.00	3B90SK	SK	A-3	1 1/16	1 15/16	15.9	4B90SK	SK	A-3	1	1 15/16	19.0
9.75	9.00	9.40	3B94SK	SK	A-3	1 1/16	1 15/16	16.6	4B94SK	SK	A-3	1	1 15/16	19.7
11.35	10.60	11.00	3B110SK	SK	A-3	1 1/16	1 15/16	20.8	4B110SK	SK	A-3	1	1 15/16	25.2
12.75	12.00	12.40	3B124SK	SK	A-3	1 1/16	1 15/16	22.5	4B124SK	SK	A-3	1	1 15/16	28.4
13.95	13.20	13.60	3B136SK	SK	A-3	1 1/16	1 15/16	25.3	4B136SK	SK	A-3	1	1 15/16	31.3
15.75	15.00	15.40	3B154SK	SK	A-3	1 1/16	1 15/16	29.8	4B154SF	SF	A-3	1	2 1/16	37.6
16.35	15.60	16.00	3B160SK	SK	A-3	1 1/16	1 15/16	30.3	4B160SF	SF	A-3	1	2 1/16	38.6
18.75	18.00	18.40	3B184SK	SK	A-3	1 1/16	1 15/16	39.1	4B184SF	SF	A-3	1	2 1/16	45.2
20.35	19.60	20.00	3B200SF	SF	D-3	5/8	2 1/16	43.0	4B200SF	SF	A-3	1	2 1/16	52.0
25.35	24.60	25.00	3B250SF	SF	D-3	5/8	2 1/16	56.0	4B250E	E	A-3	1	2 3/4	72.0
30.35	29.60	30.00	3B300SF	SF	D-3	5/8	2 1/16	77.0	4B300E	E	A-3	1	2 3/4	97.0
38.35	37.60	38.00	3B380E	E	D-3	5/8	2 3/4	115.0	4B380E	E	A-3	1	2 3/4	151.1

* = Can only be mounted from one direction.

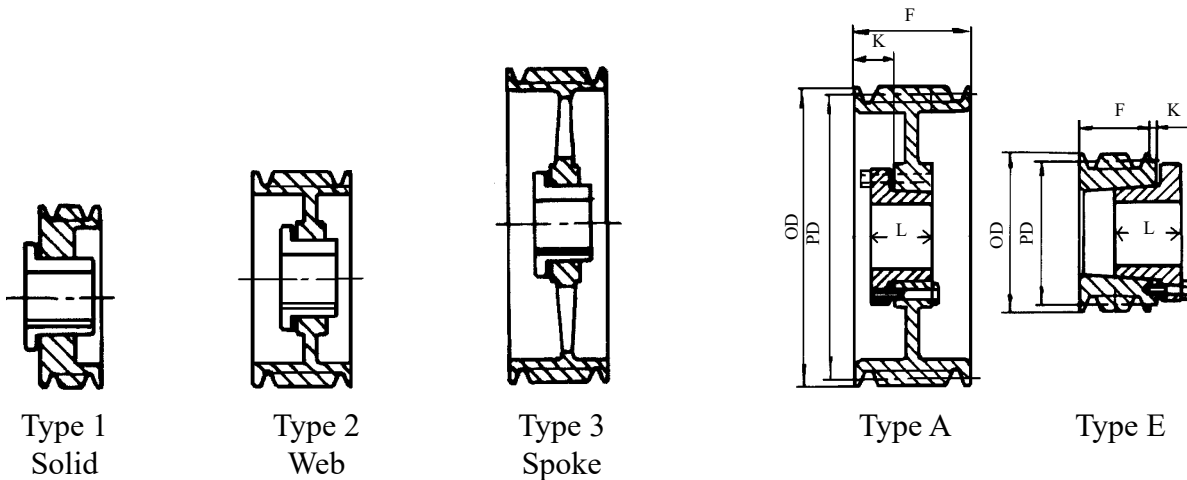
+ = Includes cap screws to be used in place of the ones that come with the bushing.

Note: Cast iron sheaves may not exceed 6500 FPM. This speed **DOES NOT** specify if dynamic balancing (2 plane) is required. Contact customer service to verify whether dynamic balancing is required.

Cast Iron Sheaves - Heavy Duty
Bushed, Five and Six Groove
A-B QD Sheaves
Order part number size
Example: 5B34SD



For A, AX, B & BX V-Belts. See pages 102-108.
Order QD bushings separately.
Stock Bushings Located on Pages 84-85.



O.D.	P.D.		5 Groove F = 4						6 Groove F = 4 3/4					
	A	B	Part No.	Bush	Type	K	L	WT.	Part No.	Bush	Type	K	L	WT.
3.75	3.00	3.40	*+5B34SD	SD	E-1	5/16	1 13/16	5.2	*+6B34SD	SD	E-1	5/16	1 13/16	5.8
3.95	3.20	3.60	*+5B36SD	SD	E-1	5/16	1 13/16	5.7	*+6B36SD	SD	E-1	5/16	1 13/16	6.8
4.15	3.40	3.80	*5B38SD	SD	E-1	5/16	1 13/16	6.2	*6B38SD	SD	E-1	5/16	1 13/16	7.1
4.35	3.60	4.00	*5B40SD	SD	E-1	0	1 13/16	6.5	*6B40SD	SD	E-1	0	1 13/16	7.7
4.55	3.80	4.20	*5B42SD	SD	E-1	0	1 13/16	7.1	*6B42SD	SD	E-1	0	1 13/16	8.6
4.75	4.00	4.40	*5B44SD	SD	E-1	0	1 13/16	7.8	*6B44SD	SD	E-1	0	1 13/16	9.3
4.95	4.20	4.60	+5B46SD	SD	A-1	1 5/16	1 13/16	8.5	+6B46SD	SD	A-1	1 3/16	1 13/16	9.8
5.15	4.40	4.80	5B48SD	SD	A-1	1 5/16	1 13/16	9.2	6B48SD	SD	A-1	1 3/16	1 13/16	10.8
5.35	4.60	5.00	5B50SD	SD	A-1	1 5/16	1 13/16	9.9	6B50SD	SD	A-1	1 3/16	1 13/16	11.0
5.55	4.80	5.20	5B52SD	SD	A-1	1 5/16	1 13/16	10.9	6B52SD	SD	A-1	1 3/16	1 13/16	12.0
5.75	5.00	5.40	5B54SK	SK	A-1	1 5/16	1 15/16	10.5	6B54SK	SK	A-1	1 5/16	1 15/16	12.5
5.95	5.20	5.60	5B56SK	SK	A-1	1 5/16	1 15/16	11.4	6B56SK	SK	A-1	1 5/16	1 15/16	13.3
6.15	5.40	5.80	5B58SK	SK	A-1	1 5/16	1 15/16	12.3	6B58SK	SK	A-1	1 5/16	1 15/16	14.1
6.35	5.60	6.00	5B60SK	SK	A-1	1 5/16	1 15/16	12.8	6B60SK	SK	A-1	1 5/16	1 15/16	15.4
6.55	5.80	6.20	5B62SK	SK	A-1	1 5/16	1 15/16	13.6	6B62SK	SK	A-1	1 5/16	1 15/16	16.4
6.75	6.00	6.40	5B64SK	SK	A-1	1 5/16	1 15/16	14.6	6B64SK	SK	A-1	1 5/16	1 15/16	17.3
6.95	6.20	6.60	5B66SK	SK	A-1	1 5/16	1 15/16	15.9	6B66SK	SK	A-1	1 5/16	1 15/16	17.9
7.15	6.40	6.80	5B68SK	SK	A-1	1 5/16	1 15/16	16.7	6B68SK	SK	A-1	1 5/16	1 15/16	19.3
7.35	6.60	7.00	5B70SF	SF	A-1	1 5/16	2 1/16	17.1	6B70SF	SF	A-1	1 11/16	2 1/16	19.8
7.75	7.00	7.40	5B74SF	SF	A-1	1 5/16	2 1/16	18.7	6B74SF	SF	A-2	1 11/16	2 1/16	22.4
8.35	7.60	8.00	5B80SF	SF	A-2	1 5/16	2 1/16	19.3	6B80SF	SF	A-2	1 11/16	2 1/16	25.4
8.95	8.20	8.60	5B86SF	SF	A-2	1 5/16	2 1/16	21.6	6B86SF	SF	A-2	1 11/16	2 1/16	25.7
9.75	9.00	9.40	5B94SF	SF	A-2	1 5/16	2 1/16	24.0	6B94SF	SF	A-2	1 11/16	2 1/16	27.9
11.35	10.60	11.00	5B110SF	SF	A-3	1 5/16	2 1/16	28.7	6B110SF	SF	A-3	1 11/16	2 1/16	33.1
12.75	12.00	12.40	5B124SF	SF	A-3	1 5/16	2 1/16	33.8	6B124SF	SF	A-3	1 11/16	2 1/16	37.5
13.95	13.20	13.60	5B136SF	SF	A-3	1 5/16	2 1/16	37.0	6B136SF	SF	A-3	1 11/16	2 1/16	42.0
15.75	15.00	15.40	5B154SF	SF	A-3	1 5/16	2 1/16	43.0	6B154SF	SF	A-3	1 11/16	2 1/16	49.0
16.35	15.60	16.00	5B160SF	SF	A-3	1 5/16	2 1/16	48.0	6B160SF	SF	A-3	1 11/16	2 1/16	48.8
18.75	18.00	18.40	5B184SF	SF	A-3	1 5/16	2 1/16	51.8	6B184SF	SF	A-3	1 11/16	2 1/16	60.0
20.35	19.60	20.00	5B200E	E	A-3	1 1/4	2 3/4	62.0	6B200E	E	A-3	1 3/8	2 3/4	72.0
25.35	24.60	25.00	5B250E	E	A-3	1 1/4	2 3/4	85.0	6B250E	E	A-3	1 3/8	2 3/4	94.0
30.35	29.60	30.00	5B300E	E	A-3	1 1/4	2 3/4	85.0	6B300E	E	A-3	1 3/8	2 3/4	131.0
38.35	37.60	38.00	5B380E	E	A-3	1 1/4	2 3/4	159.0	6B380E	E	A-3	1 3/8	2 3/4	183.0

* = Can only be mounted from one direction.

+ = Includes cap screws to be used in place of the ones that come with the bushing.

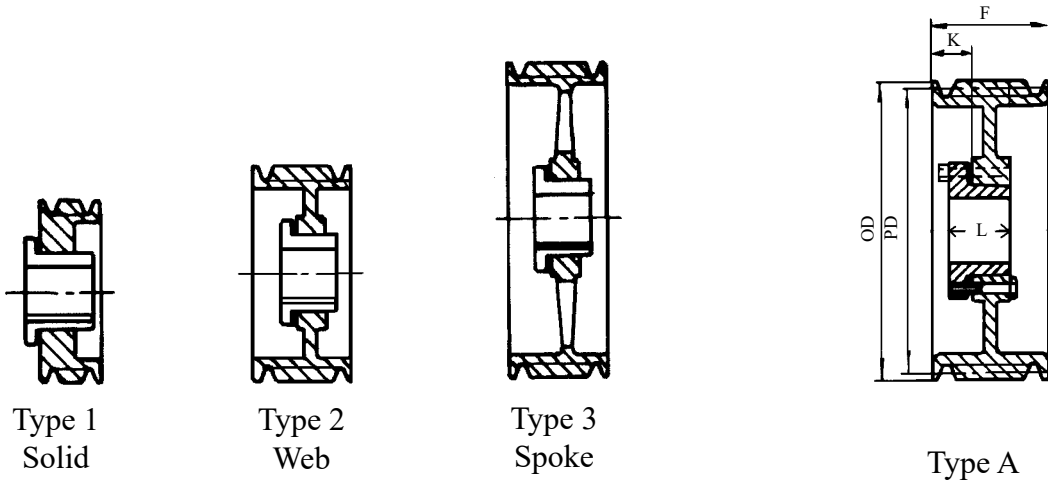
Note: Cast iron sheaves may not exceed 6500 FPM. This speed **DOES NOT** specify if dynamic balancing (2 plane) is required.

Contact customer service to verify whether dynamic balancing is required.

QD Bushing Sheaves

Cast Iron Sheaves
Bushed, Seven and Eight Groove
A-B QD Sheaves
Order part number size
Example: 7B54SK

For A, AX, B & BX V-Belts. See pages 102-108.
Order QD bushings separately.
Stock Bushings Located on Pages 84-85.



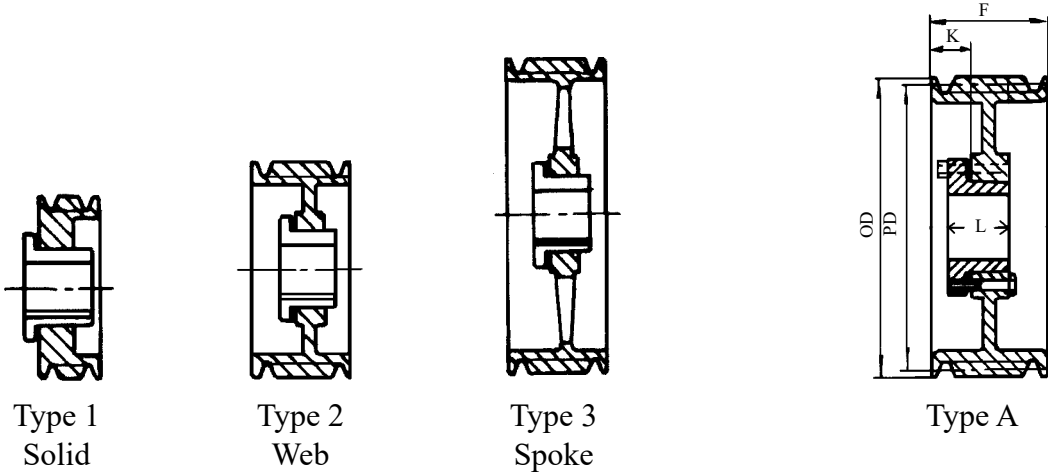
O.D.	P.D.		7 Groove F = 5 1/2						8 Groove F = 6 1/4					
	A	B	Part No.	Bush	Type	K	L	WT.	Part No.	Bush	Type	K	L	WT.
5.75	5.00	5.40	7B54SK	SK	A-1	1 13/16	1 15/16	12.5	8B54SK	SK	A-1	1 13/16	1 15/16	15.5
5.95	5.20	5.60	7B56SK	SK	A-1	1 13/16	1 15/16	13.6	8B56SK	SK	A-1	1 13/16	1 15/16	16.6
6.15	5.40	5.80	7B58SK	SK	A-1	1 13/16	1 15/16	14.1	8B58SK	SK	A-1	1 13/16	1 15/16	17.1
6.35	5.60	6.00	7B60SK	SK	A-1	1 13/16	1 15/16	15.7	8B60SK	SK	A-1	1 13/16	1 15/16	18.7
6.55	5.80	6.20	7B62SF	SF	A-1	1 13/16	2 1/16	16.3	8B62SF	SF	A-1	1 13/16	2 1/16	19.3
6.75	6.00	6.40	7B64SF	SF	A-1	1 13/16	2 1/16	17.3	8B64SF	SF	A-1	1 13/16	2 1/16	20.3
6.95	6.20	6.60	7B66SF	SF	A-1	1 13/16	2 1/16	18.3	8B66SF	SF	A-1	1 13/16	2 1/16	21.3
7.15	6.40	6.80	7B68SF	SF	A-1	1 13/16	2 1/16	19.9	8B68SF	SF	A-1	1 13/16	2 1/16	22.9
7.35	6.60	7.00	7B70SF	SF	A-1	1 13/16	2 1/16	21.7	8B70SF	SF	A-1	1 13/16	2 1/16	24.7
7.75	7.00	7.40	7B74SF	SF	A-1	1 13/16	2 1/16	23.5	8B74SF	SF	A-1	1 13/16	2 1/16	26.5
8.95	8.20	8.60	7B86E	E	A-1	2 3/8	2 3/4	32.3	8B86E	E	A-1	2 3/8	2 3/4	35.3
9.75	9.00	9.40	7B94E	E	A-1	2 3/8	2 3/4	37.9	8B94E	E	A-1	2 3/8	2 3/4	41.9
11.35	10.60	11.00	7B110E	E	A-2	2 3/8	2 3/4	41.9	8B110E	E	A-2	2 3/8	2 3/4	44.9
12.75	12.00	12.40	7B124E	E	A-3	2 3/8	2 3/4	49.0	8B124E	E	A-3	2 3/8	2 3/4	52.0
13.95	13.20	13.60	7B136E	E	A-3	2 3/8	2 3/4	52.0	8B136E	E	A-3	2 3/8	2 3/4	55.0
15.75	15.00	15.40	7B154E	E	A-3	2 3/8	2 3/4	59.0	8B154E	E	A-3	2 3/8	2 3/4	61.0
16.35	15.60	16.00	7B160E	E	A-3	2 3/8	2 3/4	62.0	8B160E	E	A-3	2 3/8	2 3/4	64.0
18.75	18.00	18.40	7B184F	F	A-3	1 5/16	3 3/4	80.0	8B184F	F	A-3	1 5/16	3 3/4	82.0
20.35	19.60	20.00							8B200F	F	A-3	1 5/16	3 3/4	93.0
25.35	24.60	25.00							8B250F	F	A-3	1 5/16	3 3/4	116.0
30.35	29.60	30.00							8B300F	F	A-3	1 5/16	3 3/4	157.0
38.35	37.60	38.00							8B380F	F	A-3	1 5/16	3 3/4	216.0

Note: Cast iron sheaves may not exceed 6500 FPM.
This speed **DOES NOT** specify if dynamic balancing
(2 plane) is required. Contact customer service to
verify whether dynamic balancing is required.

Cast Iron Sheaves
Bushed, **Ten Groove**
A-B QD Sheaves
Order part number size
Example: 10B54SK



For A, AX, B & BX V-Belts. See pages 102-108.
Order QD bushings separately.
Stock Bushings Located on Pages 84-85.



O.D.	P.D.		10 Groove F = 7 3/4					WT.
	A	B		Bush	Type	K	L	
5.75	5.00	5.40	10B54SK	SK	A-1	2 9/16	1 15/16	18.5
5.95	5.20	5.60	10B56SK	SK	A-1	2 9/16	1 15/16	19.8
6.15	5.40	5.80	10B58SK	SK	A-1	2 9/16	1 15/16	21.2
6.35	5.60	6.00	10B60SK	SK	A-1	2 9/16	1 15/16	22.3
6.55	5.80	6.20	10B62SF	SF	A-1	2 9/16	2 1/16	22.8
6.75	6.00	6.40	10B64SF	SF	A-1	2 9/16	2 1/16	24.2
6.95	6.20	6.60	10B66SF	SF	A-1	2 9/16	2 1/16	25.6
7.15	6.40	6.80	10B68SF	SF	A-1	2 9/16	2 1/16	26.8
7.35	6.60	7.00	10B70SF	SF	A-1	2 9/16	2 1/16	28.3
7.75	7.00	7.40	10B74SF	SF	A-1	2 9/16	2 1/16	31.4
8.95	8.20	8.60	10B86E	E	A-1	3 1/8	2 3/4	41.0
9.75	9.00	9.40	10B94E	E	A-2	3 1/8	2 3/4	47.8
11.35	10.60	11.00	10B110E	E	A-2	3 1/8	2 3/4	58.0
12.75	12.00	12.40	10B124E	E	A-3	3 1/8	2 3/4	65.0
13.95	13.20	13.60	10B136F	F	A-3	2 1/16	3 3/4	80.0
15.75	15.00	15.40	10B154F	F	A-3	2 1/16	3 3/4	87.0
16.35	15.60	16.00	10B160F	F	A-3	2 1/16	3 3/4	89.0
18.75	18.00	18.40	10B184F	F	A-3	2 1/16	3 3/4	102.0
20.35	19.60	20.00	10B200F	F	A-3	2 1/16	3 3/4	112.0
25.35	24.60	25.00	10B250F	F	A-3	2 1/16	3 3/4	148.0
30.35	29.60	30.00	10B300F	F	A-3	2 1/16	3 3/4	188.0
38.35	37.60	38.00	10B380J	J	A-3	1 9/16	4 5/8	291.0

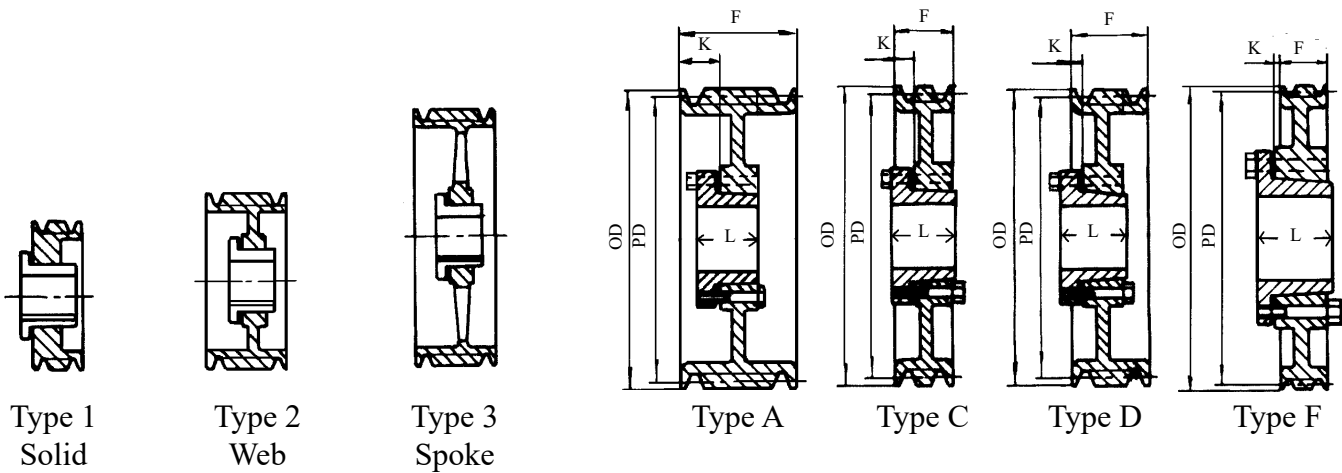
Note: Cast iron sheaves may not exceed 6500 FPM.
This speed **DOES NOT** specify if dynamic balancing
(2 plane) is required. Contact customer service to
verify whether dynamic balancing is required.

QD Bushing Sheaves

Cast Iron Sheaves
Bushed, **One and Two Groove**
C QD Sheaves
Order part number size
Example: 1C60SK



For C & CX V-Belts. See pages 109-112.
Order QD bushings separately.
Stock Bushings Located on Pages 84-85.



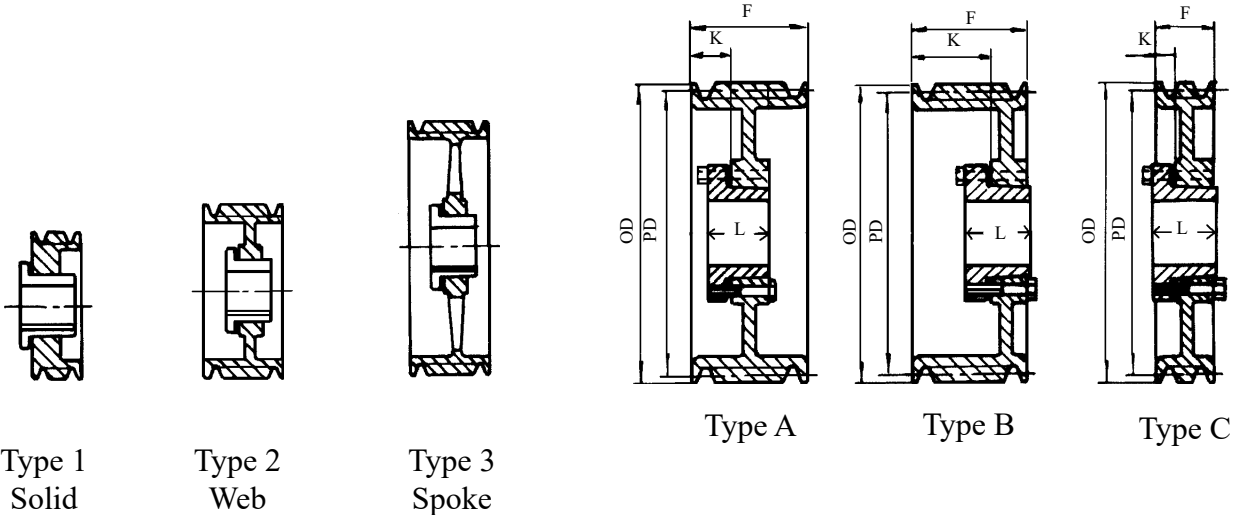
Diameters		1 Groove F = 1 3/8						2 Groove F = 2 3/8					
O.D.	P.D.	Part No.	Bush	Type	K	L	WT.	Part No.	Bush	Type	K	L	WT.
6.40	6.00	1C60SK	SK	C-1	1/8	1 15/16	8.7	2C60SF	SF	A-1	7/8	2 1/16	11.4
7.40	7.00	1C70SF	SF	C-1	1/8	2 1/16	9.7	2C70SF	SF	A-1	13/16	2 1/16	12.4
7.90	7.50	1C75SF	SF	C-1	1/8	2 1/16	11.4	2C75SF	SF	A-1	13/16	2 1/16	14.4
8.40	8.00	1C80SF	SF	C-1	1/8	2 1/16	13.0	2C80SF	SF	A-1	13/16	2 1/16	16.3
8.90	8.50	1C85SF	SF	C-2	1/8	2 1/16	12.6	2C85SF	SF	A-2	13/16	2 1/16	16.6
9.40	9.00	1C90SF	SF	C-2	1/8	2 1/16	12.8	2C90SF	SF	A-2	13/16	2 1/16	17.3
9.90	9.50	1C95SF	SF	C-2	1/8	2 1/16	13.3	2C95SF	SF	A-2	13/16	2 1/16	18.1
10.40	10.00	1C100SF	SF	C-2	1/8	2 1/16	14.2	2C100SF	SF	A-2	13/16	2 1/16	19.4
10.90	10.50	1C105SF	SF	C-3	1/8	2 1/16	15.2	2C105SF	SF	A-3	13/16	2 1/16	20.6
11.40	11.00	1C110SF	SF	C-3	1/8	2 1/16	16.2	2C110SF	SF	A-3	13/16	2 1/16	22.0
12.40	12.00	1C120SF	SF	C-3	1/8	2 1/16	18.6	2C120SF	SF	D-3	9/16	2 1/16	24.2
13.40	13.00	1C130SF	SF	C-3	1/8	2 1/16	19.1	2C130SF	SF	D-3	9/16	2 1/16	27.8
14.40	14.00	1C140SF	SF	C-3	1/8	2 1/16	20.3	2C140SF	SF	D-3	9/16	2 1/16	30.1
15.40	15.00	1C150SF	SF	C-3	1/8	2 1/16	22.0	2C150SF	SF	D-3	9/16	2 1/16	32.0
16.40	16.00	1C160SF	SF	C-3	1/8	2 1/16	23.5	2C160SF	SF	D-3	9/16	2 1/16	34.9
18.40	18.00	1C180SF	SF	C-3	1/8	2 1/16	27.8	2C180SF	SF	D-3	9/16	2 1/16	40.9
20.40	20.00	1C200SF	SF	C-3	1/8	2 1/16	31.8	2C200SF	SF	D-3	9/16	2 1/16	42.1
24.40	24.00	1C240SF	SF	C-3	1/8	2 1/16	41.2	2C240SF	SF	D-3	9/16	2 1/16	56.7
27.40	27.00							2C270F	F	F-3	1/8	3 3/4	79.4
30.40	30.00							2C300F	F	F-3	1/8	3 3/4	82.4

Note: Cast iron sheaves may not exceed 6500 FPM.
This speed **DOES NOT** specify if dynamic balancing
(2 plane) is required. Contact customer service to
verify whether dynamic balancing is required.

Cast Iron Sheaves - **Heavy Duty**
Bushed, **Three and Four Groove**
C QD Sheaves
Order part number size
Example: 3C50SD



For C & CX V-Belts. See pages 109-112.
Order QD bushings separately.
Stock Bushings Located on Pages 84-85.



Outside Diameter In Inches	3 Groove F = 3 3/8						4 Groove F = 4 3/8					
	Part No.	Bushing#	Type	K	L	WT.	Part No.	Bushing#	Type	K	L	WT.
5.40	3C50SD	SD	A-1	1 1/4	1 13/16	8.4	4C50SD	SD	A-1	1 1/4	1 13/16	10.2
5.40	*3C50SK	SK	A-1	1 1/4	1 13/16	8.4	*4C50SK	SK	A-1	1 1/4	1 13/16	10.2
5.80	3C54SD	SD	A-1	1 5/16	1 13/16	10.4	4C54SD	SD	A-1	1 5/16	1 13/16	11.8
5.90	3C55SD	SD	A-1	1 5/16	1 13/16	10.9	4C55SD	SD	A-1	1 5/16	1 13/16	13.5
6.00	3C56SD	SD	A-1	1 5/16	1 13/16	11.2	4C56SD	SD	A-1	1 5/16	1 13/16	13.9
6.40	3C60SF	SF	A-1	7/8	2 1/16	10.1	4C60SF	SF	A-1	7/8	2 1/16	12.0
6.90	3C65SF	SF	A-1	0	2 1/16	10.8	4C65SF	SF	A-1	13/16	2 1/16	12.2
7.40	3C70SF	SF	A-1	1 5/16	2 1/16	15.9	4C70SF	SF	A-1	1 9/16	2 1/16	18.0
7.90	3C75SF	SF	A-1	1 5/16	2 1/16	18.0	4C75SF	SF	A-1	1 9/16	2 1/16	20.5
8.40	3C80E	E	B-1	1 3/4	2 3/4	20.9	4C80E	E	A-1	2	2 3/4	24.0
8.90	3C85E	E	B-1	1 3/4	2 3/4	24.5	4C85E	E	A-1	2	2 3/4	27.3
9.40	3C90E	E	B-1	1 3/4	2 3/4	27.1	4C90E	E	A-1	2	2 3/4	30.7
9.90	3C95E	E	B-1	1 3/4	2 3/4	29.1	4C95E	E	A-1	2	2 3/4	34.9
10.40	3C100E	E	B-2	1 3/4	2 3/4	30.1	4C100E	E	A-2	2	2 3/4	38.1
10.90	3C105E	E	B-2	1 3/4	2 3/4	30.8	4C105E	E	A-2	2	2 3/4	35.8
11.40	3C110E	E	B-3	1 3/4	2 3/4	32.9	4C110E	E	A-3	2	2 3/4	38.4
12.40	3C120E	E	B-3	1 3/4	2 3/4	38.4	4C120E	E	A-3	2	2 3/4	43.6
13.40	3C130E	E	B-3	1 3/4	2 3/4	42.4	4C130E	E	A-3	2	2 3/4	49.4
14.40	3C140E	E	B-3	1 3/4	2 3/4	41.7	4C140E	E	A-3	2	2 3/4	50.7
15.40	3C150E	E	B-3	1 3/4	2 3/4	45.0	4C150E	E	A-3	2	2 3/4	52.0
16.40	3C160E	E	B-3	1 3/4	2 3/4	49.8	4C160E	E	A-3	2	2 3/4	60.2
18.40	3C180E	E	B-3	1 3/4	2 3/4	58.6	4C180E	E	A-3	2	2 3/4	68.6
20.40	3C200E	E	A-3	1	2 3/4	62.6	4C200E	E	A-3	1 1/2	2 3/4	76.9
24.40	3C240E	E	A-3	1	2 3/4	78.7	4C240F	F	A-3	1 5/16	3 3/4	100.4
27.40	3C270F	F	C-3	7/8	3 3/4	103.0	4C270F	F	A-3	1 5/16	3 3/4	116.8
30.40	3C300F	F	C-3	7/8	3 3/4	115.4	4C300F	F	A-3	1 5/16	3 3/4	136.1
36.40	3C360F	F	C-3	7/8	3 3/4	161.7	4C360F	F	A-3	1 5/16	3 3/4	194.2
44.40	3C440F	F	C-3	13/16	3 3/4	242.8	4C440J	J	A-3	1 9/16	4 5/8	270.4
50.40	3C500F	F	C-3	13/16	3 3/4	275.0	4C500J	J	A-3	1 9/16	4 5/8	337.4

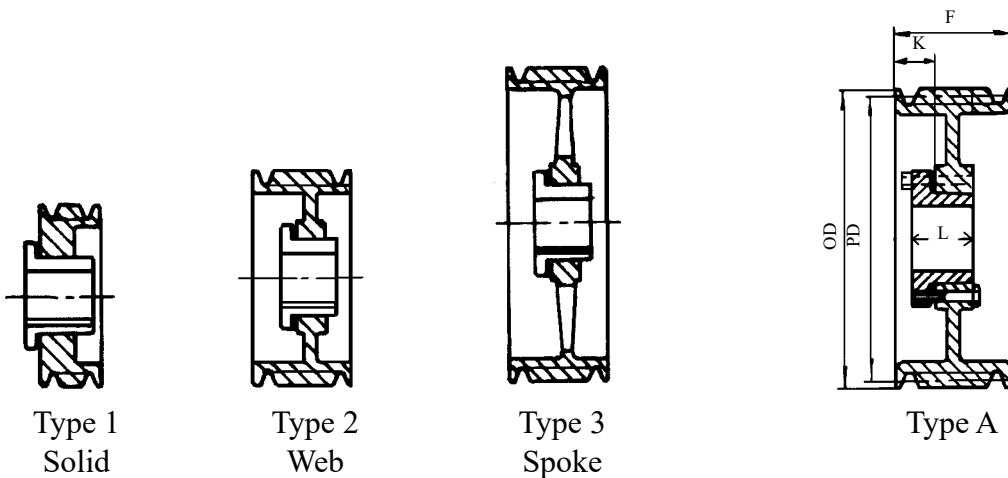
Note: Cast iron sheaves may not exceed 6500 FPM.
This speed **DOES NOT** specify if dynamic balancing
(2 plane) is required. Contact customer service to verify
whether dynamic balancing is required.

* = Small O.D. sheaves used heavily in the oil industry.

QD Bushing Sheaves

Cast Iron Sheaves - **Heavy Duty**
Bushed, **Five and Six Groove**
C QD Sheaves
Order part number size
Example: 5C60SF

For C & CX V-Belts. See pages 109-112.
Order QD bushings separately.
Stock Bushings Located on Pages 84-85.



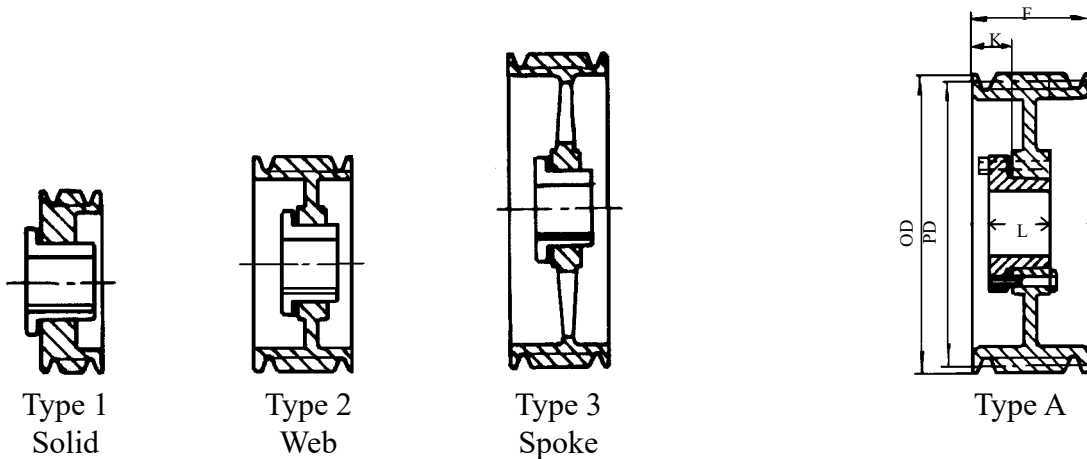
Diameters		5 Groove F = 5 3/8						6 Groove F = 6 3/8					
O.D.	P.D.	Part No.	Bush	Type	K	L	WT.	Part No.	Bush	Type	K	L	WT.
5.40	5.00	*5C50SK	SK	A-1	7/8	1 15/16	10.0	*6C50SK	SK	A-1	7/8	1 15/16	11.0
6.40	6.00	5C60SF	SF	A-1	7/8	2 1/16	12.5	6C60SF	SF	A-1	7/8	2 1/16	14.0
7.40	7.00	5C70SF	SF	A-1	1 15/16	2 1/16	20.8	6C70SF	SF	A-1	1 15/16	2 1/16	23.6
7.90	7.50	5C75SF	SF	A-1	1 15/16	2 1/16	23.6	6C75SF	SF	A-1	1 15/16	2 1/16	26.6
8.40	8.00	5C80E	E	A-1	2 3/8	2 3/4	27.3	6C80E	E	A-1	2 3/8	2 3/4	30.6
8.90	8.50	5C85E	E	A-1	2 3/8	2 3/4	30.8	6C85E	E	A-1	2 3/8	2 3/4	34.4
9.40	9.00	5C90E	E	A-1	2 3/8	2 3/4	34.5	6C90F	F	A-1	1 7/16	3 3/4	43.0
9.90	9.50	5C95E	E	A-1	2 3/8	2 3/4	39.1	6C95F	F	A-1	1 7/16	3 3/4	49.1
10.40	10.00	5C100E	E	A-2	2 3/8	2 3/4	42.4	6C100F	F	A-1	1 7/16	3 3/4	54.0
10.90	10.50	5C105E	E	A-2	2 3/8	2 3/4	40.4	6C105F	F	A-1	1 7/16	3 3/4	60.0
11.40	11.00	5C110E	E	A-3	2 3/8	2 3/4	43.1	6C110F	F	A-2	1 7/16	3 3/4	66.2
12.40	12.00	5C120E	E	A-3	2 3/8	2 3/4	48.8	6C120F	F	A-2	1 7/16	3 3/4	62.5
13.40	13.00	5C130E	E	A-3	2 3/8	2 3/4	55.1	6C130F	F	A-3	1 7/16	3 3/4	70.0
14.40	14.00	5C140E	E	A-3	2 3/8	2 3/4	57.2	6C140F	F	A-3	1 7/16	3 3/4	73.0
15.40	15.00	5C150E	E	A-3	2 3/8	2 3/4	68.2	6C150F	F	A-3	1 7/16	3 3/4	75.0
16.40	16.00	5C160E	E	A-3	2 3/8	2 3/4	71.2	6C160F	F	A-3	1 7/16	3 3/4	87.7
18.40	18.00	5C180E	E	A-3	2 3/8	2 3/4	79.1	6C180F	F	A-3	1 7/16	3 3/4	98.3
20.40	20.00	5C200F	F	A-3	1 5/16	3 3/4	96.5	6C200F	F	A-3	1 15/16	3 3/4	109.8
24.40	24.00	5C240F	F	A-3	1 5/16	3 3/4	106.7	6C240F	F	A-3	1 15/16	3 3/4	122.1
27.40	27.00	5C270F	F	A-3	1 5/16	3 3/4	129.2	6C270J	J	A-3	1 9/16	4 5/8	158.8
30.40	30.00	5C300F	F	A-3	1 5/16	3 3/4	160.8	6C300J	J	A-3	1 9/16	4 5/8	192.8
36.40	36.00	5C360J	J	A-3	1 9/16	4 5/8	220.3	6C360J	J	A-3	1 9/16	4 5/8	254.5
44.40	44.00	5C440J	J	A-3	1 9/16	4 5/8	293.2	6C440J	J	A-3	1 9/16	4 5/8	315.0
50.40	50.00	5C500J	J	A-3	1 9/16	4 5/8	275.0	6C500M	M	A-3	1 15/16	6 3/4	325.0

Note: Cast iron sheaves may not exceed 6500 FPM. This speed **DOES NOT** specify if dynamic balancing (2 plane) is required. Contact customer service to verify whether dynamic balancing is required.

* = Small O.D. sheaves used heavily in the oil industry.

Cast Iron Sheaves - Heavy Duty
Bushed, Seven and Eight Groove
C QD Sheaves
Order part number size
Example: 7C70SF

For C & CX V-Belts. See pages 109-112.
Order QD bushings separately.
Stock Bushings Located on Pages 84-85.



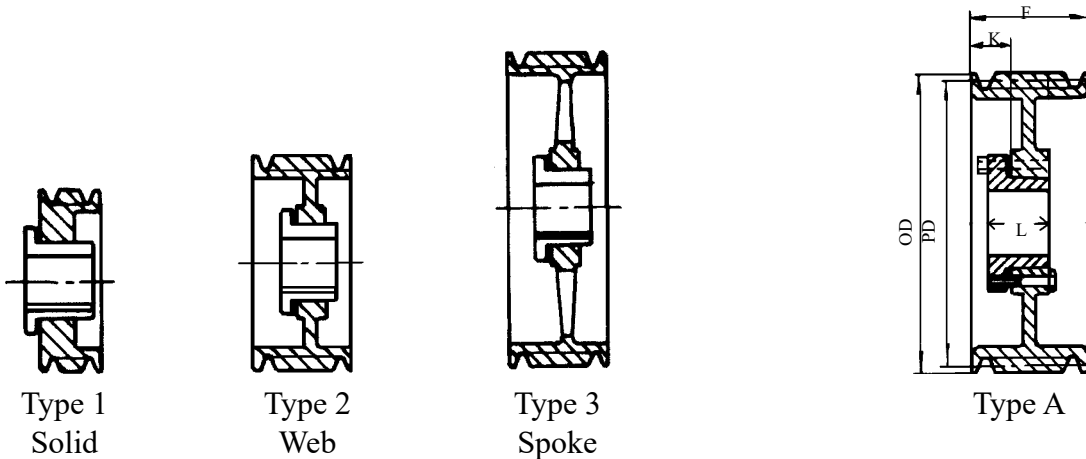
Diameters		7 Groove F = 7 3/8						8 Groove F = 8 3/8					
O.D.	P.D.	Part No.	Bush	Type	K	L	WT.	Part No.	Bush	Type	K	L	WT.
7.40	7.00	7C70SF	SF	A-1	3 1/8	2 1/16	26.2	8C70SF	SF	A-1	3 1/8	2 1/16	29.2
8.40	8.00	7C80E	E	A-1	3 1/4	2 3/4	34.3	8C80E	E	A-1	3 1/4	2 3/4	37.3
8.90	8.50	7C85E	E	A-1	3 1/4	2 3/4	38.5	8C85E	E	A-1	3 1/4	2 3/4	41.5
9.40	9.00	7C90F	F	A-1	3 5/16	3 3/4	47.5	8C90F	F	A-1	3 5/16	3 3/4	50.5
9.90	9.50	7C95F	F	A-1	3 5/16	3 3/4	54.6	8C95F	F	A-1	3 5/16	3 3/4	57.6
10.40	10.00	7C100F	F	A-1	3 5/16	3 3/4	59.6	8C100F	F	A-1	3 5/16	3 3/4	62.6
10.90	10.50	7C105F	F	A-1	3 5/16	3 3/4	66.0	8C105F	F	A-1	3 5/16	3 3/4	69.0
11.40	11.00	7C110F	F	A-1	3 5/16	3 3/4	72.6	8C110F	F	A-1	3 5/16	3 3/4	75.6
12.40	12.00	7C120F	F	A-2	3 5/16	3 3/4	69.9	8C120F	F	A-2	3 5/16	3 3/4	72.9
13.40	13.00	7C130F	F	A-2	3 5/16	3 3/4	78.3	8C130F	F	A-2	3 5/16	3 3/4	81.3
14.40	14.00	7C140F	F	A-2	3 5/16	3 3/4	85.0	8C140F	F	A-2	3 5/16	3 3/4	88.0
15.40	15.00	7C150F	F	A-2	3 5/16	3 3/4	103.0	8C150F	F	A-2	3 5/16	3 3/4	105.0
16.40	16.00	7C160F	F	A-3	3 5/16	3 3/4	107.0	8C160F	F	A-3	3 5/16	3 3/4	108.6
18.40	18.00	7C180F	F	A-3	3 5/16	3 3/4	121.0	8C180F	F	A-3	3 5/16	3 3/4	123.3
20.40	20.00							8C200J	J	A-3	1 9/16	4 5/8	146.5
24.40	24.00							8C240J	J	A-3	1 9/16	4 5/8	173.4
27.40	27.00							8C270J	J	A-3	1 9/16	4 5/8	226.3
30.40	30.00							8C300J	J	A-3	1 9/16	4 5/8	240.0
36.40	36.00							8C360M	M	A-3	1 15/16	6 3/4	355.3
44.40	44.00							8C440M	M	C-3	1 15/16	6 3/4	452.0
50.40	50.00							8C500M	M	C-3	1 15/16	6 3/4	546.1

Note: Cast iron sheaves may not exceed 6500 FPM.
This speed **DOES NOT** specify if dynamic balancing
(2 plane) is required. Contact customer service to
verify whether dynamic balancing is required.

QD Bushing Sheaves

Cast Iron Sheaves - Heavy Duty
Bushed, Ten Groove
C QD Sheaves
Order part number size
Example: 10C80E

For C & CX V-Belts. See pages 109-112.
Order QD bushings separately.
Stock Bushings Located on Pages 84-85.



Diameters		10 Groove F = 10 3/8					
O.D.	P.D.	Part No.	Bush	Type	K	L	WT.
8.40	8.00	10C80E	E	A-1	3 1/4	2 3/4	43.9
8.90	8.50	10C85E	E	A-1	3 1/4	2 3/4	48.6
9.40	9.00	+10C90J	J	A-1	3 9/16	4 5/8	59.6
9.90	9.50	+10C95J	J	A-1	3 9/16	4 5/8	67.8
10.40	10.00	10C100J	J	A-1	3 9/16	4 5/8	74.1
10.90	10.50	10C105J	J	A-1	3 9/16	4 5/8	82.2
11.40	11.00	10C110J	J	A-1	3 9/16	4 5/8	90.6
12.40	12.00	10C120J	J	A-1	3 9/16	4 5/8	108.4
13.40	13.00	10C130J	J	A-2	3 9/16	4 5/8	136.0
14.40	14.00	10C140J	J	A-2	3 9/16	4 5/8	110.8
16.40	16.00	10C160J	J	A-3	3 9/16	4 5/8	141.3
18.40	18.00	10C180J	J	A-3	3 9/16	4 5/8	148.7
20.40	20.00	10C200J	J	A-3	3 9/16	4 5/8	169.7
24.40	24.00	10C240M	M	A-3	3 9/16	6 3/4	263.1
30.40	30.00	10C300M	M	A-3	1 15/16	6 3/4	332.1
36.40	36.00	10C360M	M	A-3	1 15/16	6 3/4	397.5
44.40	44.00	10C440M	M	A-3	1 15/16	6 3/4	531.8
50.40	50.00	10C500M	M	A-3	1 15/16	6 3/4	600.0

+ = Includes cap screws to be used in place of the ones that come with the bushing.

Note: Cast iron sheaves may not exceed 6500 FPM. This speed **DOES NOT** specify if dynamic balancing (2 plane) is required. Contact customer service to verify whether dynamic balancing is required.

Cast Iron Sheaves - Heavy Duty

Bushed, **One and Two Groove**

3V QD Sheaves

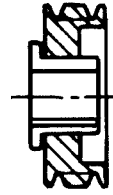
Order part number size

Example: 1/3V220JA

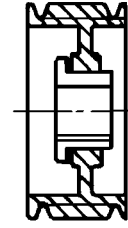
For 3V & 3VX Belts. See pages 113-114.

Order QD bushings separately.

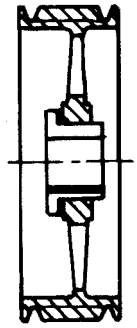
Stock Bushings Located on Pages 84-85.



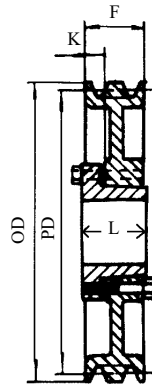
Type 1
Solid



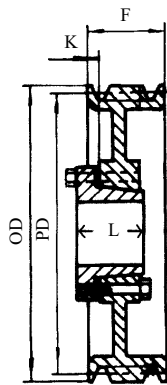
Type 2
Web



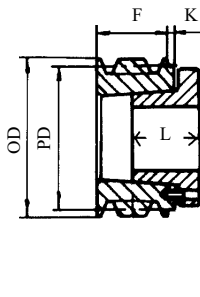
Type 3
Spoke



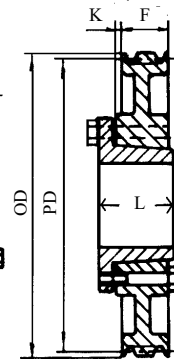
Type C



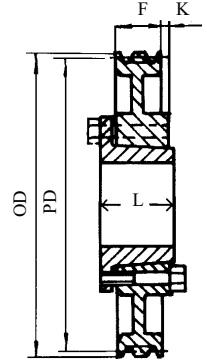
Type D



Type E



Type F



Type G

Diameters		1 Groove F = 11/16						2 Groove F = 1 3/32					
O.D.	P.D.	Part No.	Bush	Type	K	L	WT.	Part No.	Bush	Type	K	L	WT.
2.20	2.15	1/3V220JA	JA	E-1	7/16	1	.7	2/3V220JA	JA	E-1	7/16	1	.9
2.35	2.30	1/3V235JA	JA	E-1	7/16	1	.7	2/3V235JA	JA	E-1	7/16	1	.9
2.50	2.45	1/3V250JA	JA	E-1	7/16	1	.8	2/3V250JA	JA	E-1	7/16	1	1.0
2.65	2.60	1/3V265JA	JA	C-1	1/8	1	.6	2/3V265JA	JA	D-1	1/8	1	.8
2.80	2.75	1/3V280JA	JA	C-1	1/8	1	.6	2/3V280JA	JA	D-1	1/8	1	1.0
3.00	2.95	1/3V300JA	JA	C-1	1/8	1	.8	2/3V300JA	JA	D-1	1/8	1	1.1
3.15	3.10	1/3V315JA	JA	C-1	1/8	1	.9	2/3V315JA	JA	D-1	1/8	1	1.2
3.35	3.30	1/3V335JA	JA	C-1	1/8	1	1.1	2/3V335SH	SH	D-1	9/64	1 5/16	1.2
3.65	3.60	1/3V365SH	SH	G-1	1/8	1 5/16	1.3	2/3V365SH	SH	D-1	9/64	1 5/16	1.7
4.12	4.07	1/3V412SH	SH	G-1	1/8	1 5/16	1.8	2/3V412SH	SH	D-1	9/32	1 5/16	2.3
4.50	4.45	1/3V450SH	SH	G-1	1/8	1 5/16	2.2	2/3V450SH	SH	D-1	9/32	1 5/16	2.8
4.75	4.70	1/3V475SH	SH	G-1	1/8	1 5/16	2.1	2/3V475SH	SH	D-1	9/32	1 5/16	2.6
5.00	4.95	1/3V500SH	SH	G-1	1/8	1 5/16	2.3	2/3V500SH	SH	D-1	9/32	1 5/16	2.9
5.30	5.25	1/3V530SH	SH	G-2	1/8	1 5/16	3.0	2/3V530SH	SH	D-1	9/32	1 5/16	3.1
5.60	5.55	1/3V560SH	SH	G-2	1/8	1 5/16	2.8	2/3V560SH	SH	D-2	9/32	1 5/16	3.4
6.00	5.95	1/3V600SH	SH	G-2	1/8	1 5/16	3.7	2/3V600SH	SH	D-2	9/32	1 5/16	3.8
6.50	6.45	1/3V650SH	SH	G-2	1/8	1 5/16	3.4	2/3V650SDS	SDS	D-2	5/16	1 5/16	4.5
6.90	6.85	1/3V690SH	SH	G-3	1/8	1 5/16	4.1	2/3V690SDS	SDS	D-2	5/16	1 5/16	4.7
8.00	7.95	1/3V800SDS	SDS	G-3	0	1 5/16	4.8	2/3V800SDS	SDS	D-3	5/16	1 5/16	4.8
10.60	10.55	1/3V1060SDS	SDS	G-3	0	1 5/16	7.4	2/3V1060SK	SK	F-3	5/32	1 15/16	9.6
14.00	13.95	1/3V1400SK	SK	G-3	7/16	1 15/16	12.1	2/3V1400SK	SK	F-3	5/32	1 15/16	12.6
19.00	18.95	1/3V1900SK	SK	G-3	7/16	1 15/16	18.0	2/3V1900SK	SK	F-3	5/32	1 15/16	20.6
25.00	24.95							2/3V2500SF	SF	E-3	1/4	2 1/16	31.5

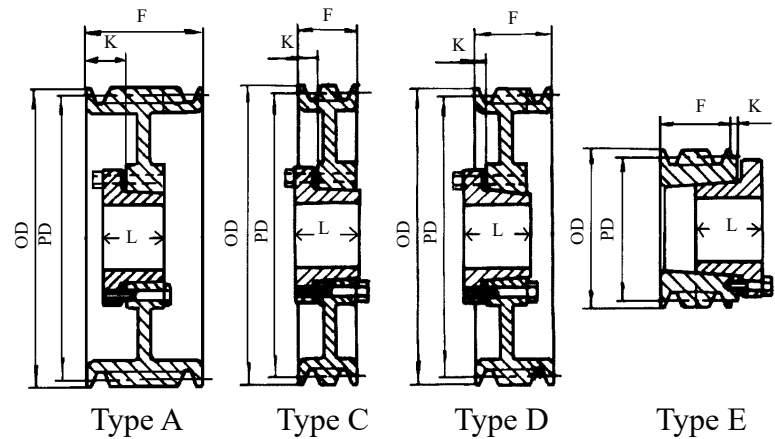
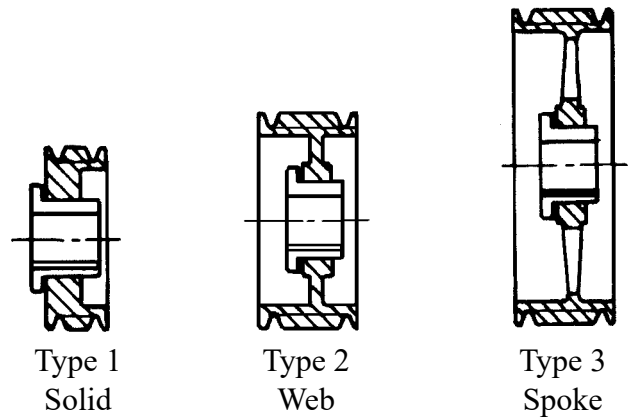
Note: Cast iron sheaves may not exceed 6500 FPM. This speed **DOES NOT** specify if dynamic balancing (2 plane) is required. Contact customer service to verify whether dynamic balancing is required.

QD Bushing Sheaves

Cast Iron Sheaves - **Heavy Duty**
Bushed, **Three and Four Groove**
3V QD Sheaves

Order part number size
Example: 3/3V250JA

For 3V & 3VX Belts. See pages 113-114.
Order QD bushings separately.
Stock Bushings Located on Pages 84-85.



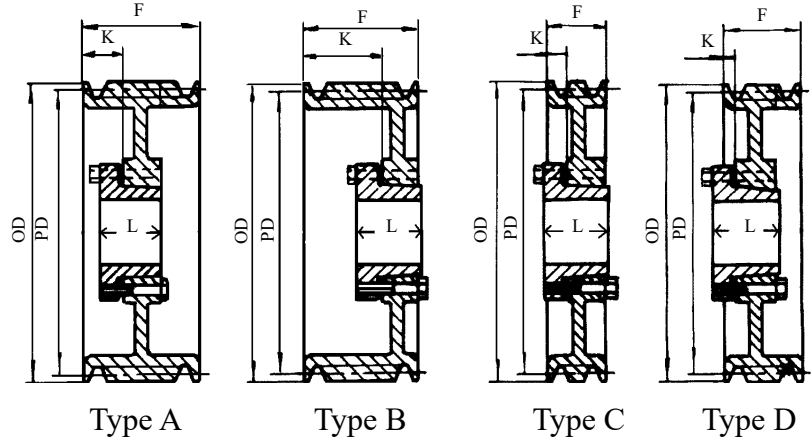
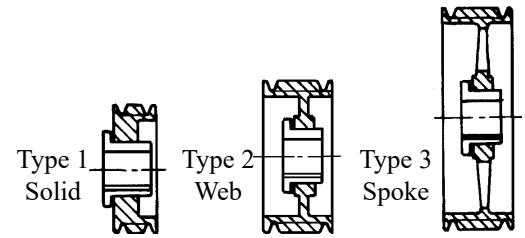
Diameters		3 Groove F = 1 1/2						4 Groove F = 1 29/32					
O.D.	P.D.	Part No.	Bush	Type	K	L	WT.	Part No.	Bush	Type	K	L	WT.
2.50	2.45	3/3V250JA	JA	E-1	7/16	1	1.2						
2.65	2.60	3/3V265JA	JA	D-1	1/8	1	1.1	4/3V265JA	JA	D-1	0	1	1.4
2.80	2.75	3/3V280JA	JA	D-1	1/8	1	1.3	4/3V280JA	JA	D-1	0	1	1.7
3.00	2.95	+3/3V300SH	SH	E-1	5/16	1 5/16	1.7	+4/3V300SH	SH	E-1	0	1 5/16	2.0
3.15	3.10	+3/3V315SH	SH	E-1	5/16	1 5/16	1.8	+4/3V315SH	SH	E-1	0	1 5/16	2.0
3.35	3.30	3/3V335SH	SH	D-1	1/8	1 5/16	1.6	4/3V335SH	SH	D-1	1/8	1 5/16	1.9
3.65	3.60	3/3V365SH	SH	D-1	1/8	1 5/16	2.0	4/3V365SH	SH	D-1	1/8	1 5/16	2.3
4.12	4.07	3/3V412SH	SH	A-1	11/16	1 5/16	2.7	4/3V412SH	SH	A-1	13/16	1 5/16	3.1
4.50	4.45	3/3V450SDS	SDS	A-1	11/16	1 5/16	3.1	4/3V450SDS	SDS	A-1	13/16	1 5/16	3.5
4.75	4.70	3/3V475SDS	SDS	A-1	11/16	1 5/16	3.6	4/3V475SDS	SDS	A-1	13/16	1 5/16	3.7
5.00	4.95	3/3V500SDS	SDS	A-1	11/16	1 5/16	4.0	4/3V500SDS	SDS	A-1	13/16	1 5/16	4.3
5.30	5.25	3/3V530SDS	SDS	A-1	11/16	1 5/16	3.9	4/3V530SDS	SDS	A-1	13/16	1 5/16	5.0
5.60	5.55	3/3V560SDS	SDS	A-1	11/16	1 5/16	4.4	4/3V560SDS	SDS	A-1	13/16	1 5/16	5.5
6.00	5.95	3/3V600SDS	SDS	A-2	11/16	1 5/16	4.9	4/3V600SK	SK	D-1	5/8	1 15/16	7.0
6.50	6.45	3/3V650SDS	SDS	A-2	11/16	1 5/16	5.8	4/3V650SK	SK	D-2	5/8	1 15/16	7.3
6.90	6.85	3/3V690SDS	SDS	A-2	11/16	1 5/16	5.9	4/3V690SK	SK	D-2	5/8	1 15/16	8.2
8.00	7.95	3/3V800SK	SK	C-3	1/4	1 15/16	8.2	4/3V800SK	SK	D-3	5/8	1 15/16	9.4
10.60	10.55	3/3V1060SK	SK	C-3	1/4	1 15/16	12.0	4/3V1060SK	SK	D-3	5/8	1 15/16	13.4
14.00	13.95	3/3V1400SK	SK	C-3	1/4	1 15/16	14.8	4/3V1400SK	SK	D-3	5/8	1 15/16	18.3
19.00	18.95	3/3V1900SF	SF	C-3	1/4	2 1/16	26.0	4/3V1900SF	SF	C-3	21/32	2 1/16	29.7
25.00	24.95	3/3V2500SF	SF	C-3	1/4	2 1/16	42.0	4/3V2500SF	SF	C-3	21/32	2 1/16	44.0
33.50	33.45	3/3V3350SF	SF	C-3	1/4	2 1/16	70.8	4/3V3350E	E	C-3	9/32	2 3/4	78.0

+ = Includes cap screws to be used in place of the ones that come with the bushing.

Note: Cast iron sheaves may not exceed 6500 FPM. This speed **DOES NOT** specify if dynamic balancing (2 plane) is required. Contact customer service to verify whether dynamic balancing is required.

Cast Iron Sheaves - Heavy Duty
Bushed, Five, Six, Seven and Eight Groove
Order part number size
Example: 5/3V475SDS

For 3V & 3VX Belts. See pages 113-114.
Order QD bushings separately.
Stock Bushings Located on Pages 84-85.



Diameters		5 Groove F = 2 5/16						6 Groove F = 2 23/32					
O.D.	P.D.	Part No.	Bush	Type	K	L	WT.	Part No.	Bush	Type	K	L	WT.
4.75	4.70	5/3V475SDS	SDS	A-1	13/16	1 5/16	4.3	6/3V475SK	SK	D-1	0	1 15/16	5.0
5.00	4.95	5/3V500SDS	SDS	A-1	13/16	1 5/16	4.8	6/3V500SK	SK	D-1	0	1 15/16	5.7
5.30	5.25	5/3V530SK	SK	A-1	15/16	1 15/16	5.9	6/3V530SK	SK	A-1	1 5/16	1 15/16	6.7
5.60	5.55	5/3V560SK	SK	A-1	15/16	1 15/16	6.8	6/3V560SK	SK	A-1	1 5/16	1 15/16	7.5
6.00	5.95	5/3V600SK	SK	A-1	15/16	1 15/16	8.0	6/3V600SK	SK	A-1	1 5/16	1 15/16	8.8
6.50	6.45	5/3V650SK	SK	A-1	15/16	1 15/16	8.1	6/3V650SK	SK	A-1	1 5/16	1 15/16	9.3
6.90	6.85	5/3V690SK	SK	A-2	15/16	1 15/16	9.2	6/3V690SK	SK	A-2	1 5/16	1 15/16	10.0
8.00	7.95	5/3V800SK	SK	A-2	15/16	1 15/16	10.8	6/3V800SK	SK	A-2	1 5/16	1 15/16	11.7
10.60	10.55	5/3V1060SK	SK	A-3	15/16	1 15/16	15.3	6/3V1060SF	SF	A-2	7/8	2 1/16	19.1
14.00	13.95	5/3V1400SF	SF	A-3	7/8	2 1/16	23.4	6/3V1400SF	SF	A-3	7/8	2 1/16	24.2
19.00	18.95	5/3V1900SF	SF	A-3	7/8	2 1/16	37.6	6/3V1900E	E	B-3	1 3/32	2 3/4	39.5
25.00	24.95	5/3V2500E	E	C-3	11/16	2 3/4	53.0	6/3V2500E	E	B-3	1 3/32	2 3/4	65.7
33.50	33.45	5/3V3350E	E	C-3	11/16	2 3/4	87.0	6/3V3350E	E	B-3	1 3/32	2 3/4	80.0
Diameters		7 Groove F = 3 1/8						8 Groove F = 3 17/32					
O.D.	P.D.	Part No.	Bush	Type	K	L	WT.	Part No.	Bush	Type	K	L	WT.
4.75	4.70	7/3V475SK	SK	D-1	1/8	1 15/16	3.8	8/3V475SK	SK	D-1	1/8	1 15/16	5.8
5.00	4.95	7/3V500SK	SK	D-1	1/8	1 15/16	4.8	8/3V500SK	SK	D-1	1/8	1 15/16	6.8
5.30	5.25	7/3V530SK	SK	A-1	1 5/16	1 15/16	5.6	8/3V530SK	SK	A-1	1 5/16	1 15/16	7.6
5.60	5.55	7/3V560SK	SK	A-1	1 5/16	1 15/16	6.7	8/3V560SK	SK	A-1	1 5/16	1 15/16	8.7
6.00	5.95	7/3V600SK	SK	A-1	1 5/16	1 15/16	8.3	8/3V600SK	SK	A-1	1 5/16	1 15/16	10.3
6.50	6.45	7/3V650SK	SK	A-1	1 5/16	1 15/16	8.7	8/3V650SK	SK	A-1	1 5/16	1 15/16	10.7
6.90	6.85	7/3V690SK	SK	A-2	1 5/16	1 15/16	9.8	8/3V690SK	SK	A-2	1 5/16	1 15/16	11.8
8.00	7.95	7/3V800SF	SF	A-2	1 1/8	2 1/16	13.5	8/3V800SF	SF	A-2	1 1/8	2 1/16	15.5
10.60	10.55	7/3V1060SF	SF	A-3	1 1/8	2 1/16	18.9	8/3V1060SF	SF	A-3	1 1/8	2 1/16	21.9
14.00	13.95	7/3V1400E	E	A-3	1 1/4	2 3/4	31.4	8/3V1400E	E	A-3	1 1/4	2 3/4	33.4
19.00	18.95	7/3V1900E	E	A-3	1 1/4	2 3/4	45.2	8/3V1900E	E	A-3	1 1/4	2 3/4	47.2
25.00	24.95							8/3V2500E	E	A-3	1 1/4	2 3/4	67.8
33.50	33.45							8/3V3350F	F	B-3	1 1/32	3 3/4	112.0

Note: Cast iron sheaves may not exceed 6500 FPM.
This speed **DOES NOT** specify if dynamic balancing
(2 plane) is required. Contact customer service to
verify whether dynamic balancing is required.

QD Bushing Sheaves

Cast Iron Sheaves - **Heavy Duty**

Bushed, **Ten Groove**

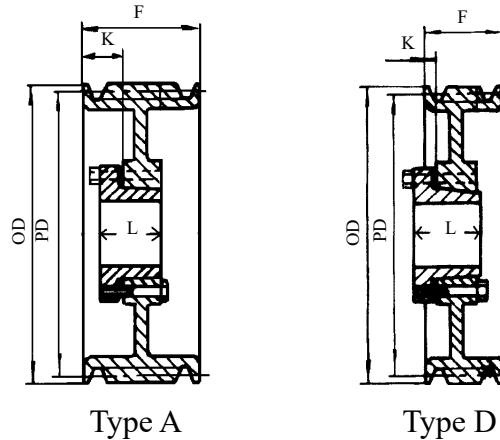
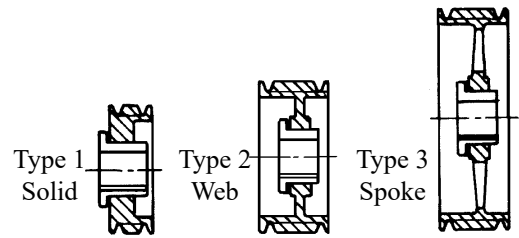
Order part number size

Example: 10/3V475SK

For 3V & 3VX Belts. See pages 113-114.

Order QD bushings separately.

Stock Bushings Located on Pages 84-85.

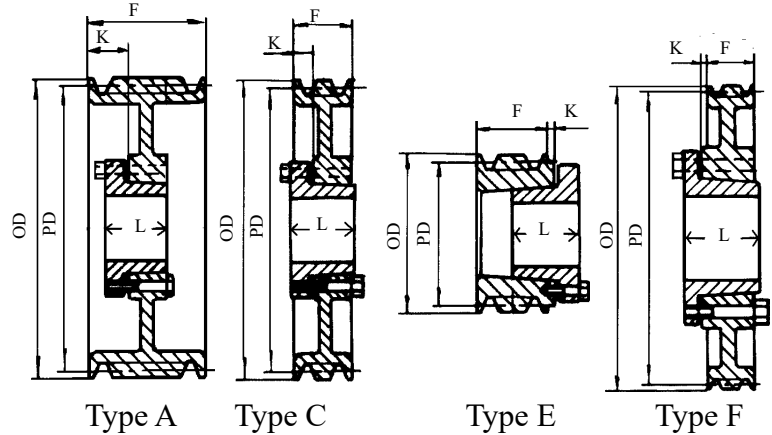
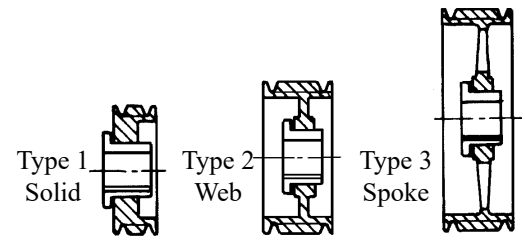


Diameters		10 Groove F = 4 11/32					
O.D.	P.D.	Part No.	Bush	Type	K	L	WT.
4.75	4.70	10/3V475SK	SK	D-1	1/8	1 15/16	6.9
5.00	4.95	10/3V500SK	SK	D-1	1/8	1 15/16	8.1
5.30	5.25	10/3V530SK	SK	A-1	1 7/16	1 15/16	8.8
5.60	5.55	10/3V560SK	SK	A-1	1 7/16	1 15/16	10.1
6.00	5.95	10/3V600SK	SK	A-1	1 7/16	1 15/16	13.8
6.50	6.45	10/3V650SK	SK	A-1	1 7/16	1 15/16	13.7
6.90	6.85	10/3V690SK	SK	A-2	1 7/16	1 15/16	14.1
8.00	7.95	10/3V800SF	SF	A-2	1 1/2	2 1/16	18.1
10.60	10.55	10/3V1060E	E	A-3	1 1/4	2 3/4	29.2
14.00	13.95	10/3V1400E	E	A-3	1 1/4	2 3/4	37.0
19.00	18.95	10/3V1900E	E	A-3	1 1/4	2 3/4	54.0
25.00	24.95	10/3V2500F	F	A-3	1 5/16	3 3/4	90.0
33.50	33.45	10/3V3350F	F	A-3	1 5/16	3 3/4	178.0

Note: Cast iron sheaves may not exceed 6500 FPM. This speed **DOES NOT** specify if dynamic balancing (2 plane) is required. Contact customer service to verify whether dynamic balancing is required.

Cast Iron Sheaves - Heavy Duty
Bushed, Two and Three Groove
5V QD Sheaves
Order part number size
Example: 2/5V440SH

For 5V & 5VX Belts
See pages 113, 115 & 116.
Order QD bushings separately.
Stock Bushings Located on Pages 84-85.



Diameters		2 Groove F = 1 11/16						3 Groove F = 2 3/8					
O.D.	P.D.	Part No.	Bush	Type	K	L	WT.	Part No.	Bush	Type	K	L	WT.
4.40	4.30	2/5V440SH	SH	A-1	11/16	1 5/16	3.3	3/5V440SDS	SDS	E-1	0	1 5/16	4.2
4.65	4.55	2/5V465SDS	SDS	E-1	3/16	1 5/16	3.7	3/5V465SDS	SDS	E-1	0	1 5/16	4.7
4.90	4.80	2/5V490SDS	SDS	A-1	11/16	1 5/16	3.9	3/5V490SDS	SDS	A-1	1 1/16	1 5/16	4.8
5.20	5.10	2/5V520SDS	SDS	A-1	11/16	1 5/16	4.6	3/5V520SDS	SDS	A-1	1 1/16	1 5/16	5.9
5.50	5.40	2/5V550SDS	SDS	A-1	11/16	1 5/16	5.1	3/5V550SDS	SDS	A-1	1 1/16	1 5/16	6.6
5.90	5.80	2/5V590SDS	SDS	A-1	11/16	1 5/16	5.6	3/5V590SDS	SDS	A-1	1 1/16	1 5/16	7.5
6.30	6.20	2/5V630SK	SK	C-1	7/16	1 15/16	7.4	3/5V630SK	SK	A-1	1 1/16	1 15/16	9.3
6.70	6.60	2/5V670SK	SK	C-1	7/16	1 15/16	7.5	3/5V670SK	SK	A-1	1 1/8	1 15/16	10.8
7.10	7.00	2/5V710SK	SK	C-1	7/16	1 15/16	7.9	3/5V710SF	SF	A-1	1 1/8	2 1/16	11.4
7.50	7.40	2/5V750SK	SK	C-1	7/16	1 15/16	8.7	3/5V750SF	SF	A-1	1 1/8	2 1/16	12.5
8.00	7.90	2/5V800SK	SK	C-2	7/16	1 15/16	10.0	3/5V800SF	SF	A-1	1 1/8	2 1/16	12.7
8.50	8.40	2/5V850SK	SK	C-2	7/16	1 15/16	10.8	3/5V850SF	SF	A-2	1 1/8	2 1/16	14.5
9.00	8.90	2/5V900SK	SK	C-2	7/16	1 15/16	11.4	3/5V900SF	SF	A-2	1 1/8	2 1/16	15.6
9.25	9.15	2/5V925SK	SK	C-2	7/16	1 15/16	12.0	3/5V925SF	SF	A-2	1 1/8	2 1/16	21.7
9.75	9.65	2/5V975SK	SK	C-3	7/16	1 15/16	12.6	3/5V975SF	SF	A-2	1 1/8	2 1/16	17.0
10.30	10.20	2/5V1030SK	SK	C-3	7/16	1 15/16	14.5	3/5V1030SF	SF	A-2	1 1/8	2 1/16	18.2
10.90	10.80	2/5V1090SK	SK	C-3	7/16	1 15/16	15.5	3/5V1090SF	SF	A-2	1 1/8	2 1/16	19.4
11.30	11.20	2/5V1130SK	SK	C-3	7/16	1 15/16	14.3	3/5V1130SF	SF	A-3	1 1/8	2 1/16	20.0
11.80	11.70	2/5V1180SK	SK	C-3	7/16	1 15/16	17.1	3/5V1180SF	SF	A-3	1 1/8	2 1/16	21.2
12.50	12.40	2/5V1250SF	SF	C-3	7/16	2 1/16	18.8	3/5V1250E	E	C-3	3/4	2 3/4	28.3
13.20	13.10	2/5V1320SF	SF	C-3	7/16	2 1/16	19.8	3/5V1320E	E	C-3	3/4	2 3/4	30.0
14.00	13.90	2/5V1400SF	SF	C-3	7/16	2 1/16	22.3	3/5V1400E	E	C-3	3/4	2 3/4	31.1
15.00	14.90	2/5V1500SF	SF	C-3	7/16	2 1/16	23.9	3/5V1500E	E	C-3	3/4	2 3/4	32.5
16.00	15.90	2/5V1600SF	SF	C-3	7/16	2 1/16	26.0	3/5V1600E	E	C-3	3/4	2 3/4	35.6
18.70	18.60	2/5V1870SF	SF	C-3	7/16	2 1/16	32.6	3/5V1870E	E	C-3	3/4	2 3/4	42.8
21.20	21.10	2/5V2120SF	SF	C-3	7/16	2 1/16	38.0	3/5V2120E	E	C-3	3/4	2 3/4	49.4
23.60	23.50	2/5V2360E	E	C-3	1/16	2 3/4	46.0	3/5V2360E	E	C-3	3/4	2 3/4	56.4
28.00	27.90	2/5V2800E	E	C-3	1/16	2 3/4	71.0	3/5V2800E	E	C-3	3/4	2 3/4	70.0
31.50	31.40							3/5V3150F	F	F-3	1/8	3 3/4	95.0
37.50	37.40							3/5V3750F	F	F-3	1/8	3 3/4	151.5
50.00	49.90							3/5V5000F	F	F-3	1/8	3 3/4	185.0

Note: Cast iron sheaves may not exceed 6500 FPM.
This speed **DOES NOT** specify if dynamic balancing
(2 plane) is required. Contact customer service to
verify whether dynamic balancing is required.

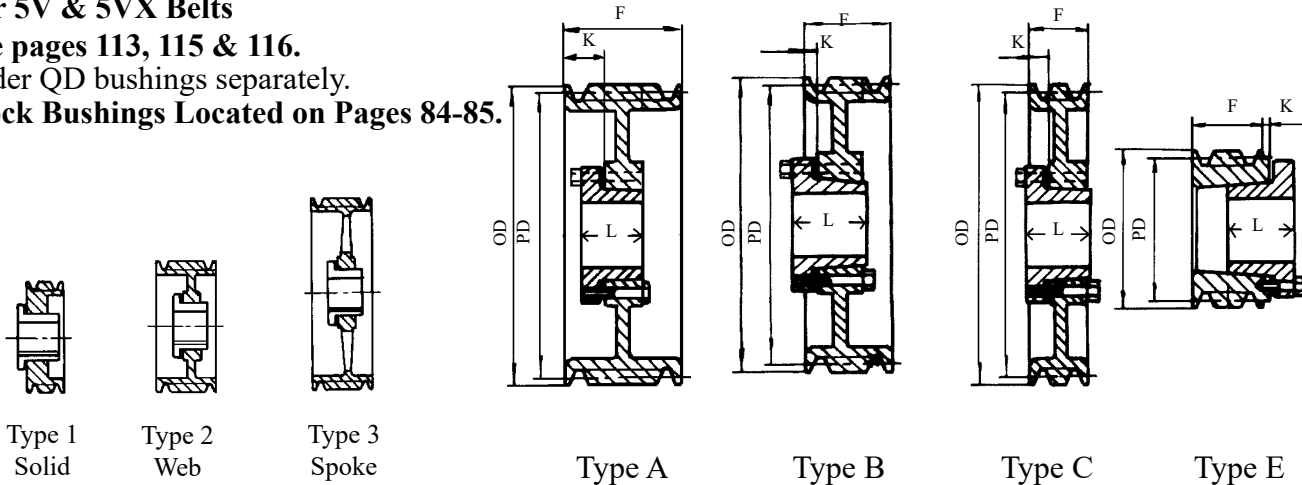
QD Bushing Sheaves

Cast Iron Sheaves - Heavy Duty
Bushed, Four and Five Groove
5V QD Sheaves

Order part number size
Example: 4/5V440SD



For 5V & 5VX Belts
See pages 113, 115 & 116.
Order QD bushings separately.
Stock Bushings Located on Pages 84-85.



Diameters		4 Groove F = 3 1/16						5 Groove F = 3 3/4					
O.D.	P.D.	Part No.	Bush	Type	K	L	WT.	Part No.	Bush	Type	K	L	WT.
4.40	4.30	4/5V440SD	SD	E-1	0	1 13/16	5.4	5/5V440SD	SD	E-1	0	1 13/16	6.4
4.65	4.55	4/5V465SD	SD	E-1	0	1 13/16	6.3	5/5V465SD	SD	E-1	0	1 13/16	7.2
4.90	4.80	4/5V490SD	SD	A-1	1 5/16	1 13/16	6.8	5/5V490SD	SD	A-1	1 5/16	1 13/16	7.8
5.20	5.10	4/5V520SD	SD	A-1	1 5/16	1 13/16	7.7	5/5V520SD	SD	A-1	1 5/16	1 13/16	9.0
5.50	5.40	4/5V550SD	SD	A-1	1 5/16	1 13/16	8.9	5/5V550SD	SD	A-1	1 5/16	1 13/16	10.2
5.90	5.80	4/5V590SD	SD	A-1	1 5/16	1 13/16	10.2	5/5V590SK	SK	A-1	1 5/16	1 15/16	10.8
6.30	6.20	4/5V630SK	SK	A-1	1 5/16	1 15/16	10.8	5/5V630SK	SK	A-1	1 5/16	1 15/16	12.3
6.70	6.60	4/5V670SK	SK	A-1	1 5/16	1 15/16	12.4	5/5V670SF	SF	A-1	1 3/8	2 1/16	13.4
7.10	7.00	4/5V710SF	SF	A-1	1 1/16	2 1/16	13.4	5/5V710SF	SF	A-1	1 3/8	2 1/16	15.2
7.50	7.40	4/5V750SF	SF	A-1	1 1/16	2 1/16	15.1	5/5V750SF	SF	A-1	1 3/8	2 1/16	16.9
8.00	7.90	4/5V800E	E	B-1	1 7/16	2 3/4	18.0	5/5V800E	E	A-1	1 3/4	2 3/4	19.7
8.50	8.40	4/5V850E	E	B-1	1 7/16	2 3/4	20.1	5/5V850E	E	A-1	1 3/4	2 3/4	23.1
9.00	8.90	4/5V900E	E	B-1	1 7/16	2 3/4	22.3	5/5V900E	E	A-1	1 3/4	2 3/4	26.4
9.25	9.15	4/5V925E	E	B-1	1 7/16	2 3/4	23.9	5/5V925E	E	A-1	1 3/4	2 3/4	28.3
9.75	9.65	4/5V975E	E	B-2	1 7/16	2 3/4	23.3	5/5V975E	E	A-2	1 3/4	2 3/4	26.2
10.30	10.20	4/5V1030E	E	B-2	1 7/16	2 3/4	25.5	5/5V1030E	E	A-2	1 3/4	2 3/4	28.5
10.90	10.80	4/5V1090E	E	B-2	1 7/16	2 3/4	28.0	5/5V1090E	E	A-2	1 3/4	2 3/4	30.7
11.30	11.20	4/5V1130E	E	B-2	1 7/16	2 3/4	28.5	5/5V1130E	E	A-2	1 3/4	2 3/4	32.3
11.80	11.70	4/5V1180E	E	B-2	1 7/16	2 3/4	29.9	5/5V1180E	E	A-2	1 3/4	2 3/4	33.5
12.50	12.40	4/5V1250E	E	B-3	1 7/16	2 3/4	31.2	5/5V1250E	E	A-3	1 3/4	2 3/4	36.3
13.20	13.10	4/5V1320E	E	B-3	1 7/16	2 3/4	33.7	5/5V1320E	E	A-3	1 3/4	2 3/4	38.4
14.00	13.90	4/5V1400E	E	B-3	1 7/16	2 3/4	34.4	5/5V1400E	E	A-3	1 3/4	2 3/4	40.0
15.00	14.90	4/5V1500E	E	B-3	1 7/16	2 3/4	37.0	5/5V1500E	E	A-3	1 3/4	2 3/4	42.7
16.00	15.90	4/5V1600E	E	B-3	1 7/16	2 3/4	39.6	5/5V1600E	E	A-3	1 3/4	2 3/4	58.0
18.70	18.60	4/5V1870E	E	A-3	1 1/4	2 3/4	51.8	5/5V1870F	F	B-3	1 1/4	3 3/4	67.0
21.20	21.10	4/5V2120E	E	A-3	1 1/4	2 3/4	58.3	5/5V2120F	F	B-3	1 1/4	3 3/4	88.0
23.60	23.50	4/5V2360F	F	C-3	7/8	3 3/4	70.0	5/5V2360F	F	B-3	1 1/4	3 3/4	114.9
28.00	27.90	4/5V2800F	F	C-3	7/8	3 3/4	92.0	5/5V2800F	F	B-3	1 1/4	3 3/4	126.0
31.50	31.40	4/5V3150F	F	C-3	7/8	3 3/4	108.0	5/5V3150J	J	C-3	9/16	4 5/8	132.0
37.50	37.40	4/5V3750F	F	C-3	7/8	3 3/4	138.0	5/5V3750J	J	C-3	9/16	4 5/8	174.0
50.00	49.90	4/5V5000J	J	B-3	1/8	4 5/8	227.0	5/5V5000J	J	C-3	9/16	4 5/8	247.0

Note: Cast iron sheaves may not exceed 6500 FPM.
This speed **DOES NOT** specify if dynamic balancing
(2 plane) is required. Contact customer service to verify
whether dynamic balancing is required.

Cast Iron Sheaves - **Heavy Duty**
Bushed, **Six and Seven Groove**
5V QD Sheaves
Order part number size
Example: 6/5V440SD

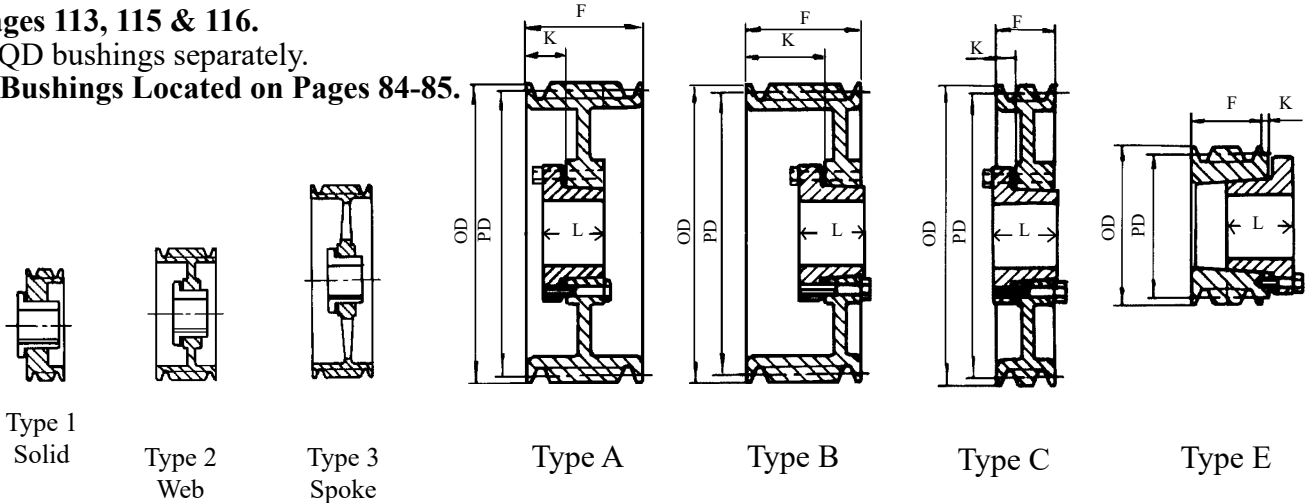


For 5V & 5VX Belts

See pages 113, 115 & 116.

Order QD bushings separately.

Stock Bushings Located on Pages 84-85.



Type 1
Solid

Type 2
Web

Type 3
Spoke

Type A

Type B

Type C

Type E

Diameters		6 Groove F = 4 7/16						7 Groove F = 5 1/8					
O.D.	P.D.	Part No.	Bush	Type	K	L	WT.	Part No.	Bush	Type	K	L	WT.
4.40	4.30	6/5V440SD	SD	E-1	0	1 13/16	7.7						
4.65	4.55	6/5V465SD	SD	E-1	0	1 13/16	8.1						
4.90	4.80	6/5V490SD	SD	A-1	1 5/16	1 13/16	8.1						
5.20	5.10	6/5V520SD	SD	A-1	1 5/16	1 13/16	10.5						
5.50	5.40	6/5V550SD	SD	A-1	1 5/16	1 13/16	12.0						
5.90	5.80	6/5V590SK	SK	A-1	1 5/16	1 15/16	12.6						
6.30	6.20	6/5V630SK	SK	A-1	1 5/16	1 15/16	14.5						
6.70	6.60	6/5V670SF	SF	A-1	1 5/8	2 1/16	15.4						
7.10	7.00	6/5V710SF	SF	A-1	1 5/8	2 1/16	17.4	7/5V710SF	SF	A-1	2 1/8	2 1/16	17.7
7.50	7.40	6/5V750SF	SF	A-1	1 5/8	2 1/16	19.4	7/5V750SF	SF	A-1	2 1/8	2 1/16	20.1
8.00	7.90	6/5V800E	E	A-1	2	2 3/4	22.7	7/5V800E	E	A-1	2 1/2	2 3/4	23.8
8.50	8.40	6/5V850E	E	A-1	2	2 3/4	26.0	7/5V850E	E	A-1	2 1/2	2 3/4	26.5
9.00	8.90	6/5V900E	E	A-1	2	2 3/4	29.4	7/5V900E	E	A-1	2 1/2	2 3/4	32.0
9.25	9.15	6/5V925E	E	A-1	2	2 3/4	30.8	7/5V925E	F	A-1	2 9/16	3 3/4	37.5
9.75	9.65	6/5V975E	E	A-2	2	2 3/4	35.0	7/5V975E	F	A-1	2 9/16	3 3/4	43.0
10.30	10.20	6/5V1030E	E	A-2	2	2 3/4	33.0	7/5V1030F	F	A-1	2 9/16	3 3/4	44.3
10.90	10.80	6/5V1090E	E	A-2	2	2 3/4	35.6	7/5V1090F	F	A-2	2 9/16	3 3/4	45.5
11.30	11.20	6/5V1130E	E	A-2	2	2 3/4	36.7	7/5V1130F	F	A-2	2 9/16	3 3/4	47.0
11.80	11.70	6/5V1180E	E	A-2	2	2 3/4	41.4	7/5V1180F	F	A-2	2 9/16	3 3/4	50.0
12.50	12.40	6/5V1250F	F	B-3	15/16	3 3/4	45.2	7/5V1250F	F	A-2	2 9/16	3 3/4	53.3
13.20	13.10	6/5V1320F	F	B-3	15/16	3 3/4	50.0	7/5V1320F	F	A-3	2 9/16	3 3/4	56.0
14.00	13.90	6/5V1400F	F	B-3	15/16	3 3/4	52.6	7/5V1400F	F	A-3	2 9/16	3 3/4	60.5
15.00	14.90	6/5V1500F	F	B-3	15/16	3 3/4	55.2	7/5V1500F	F	A-3	2 9/16	3 3/4	65.0
16.00	15.90	6/5V1600F	F	B-3	1 15/16	3 3/4	58.0	7/5V1600F	F	A-3	2 9/16	3 3/4	71.0
18.70	18.60	6/5V1870F	F	A-3	1 5/16	3 3/4	70.0	7/5V1870J	J	A-3	1 9/16	4 5/8	91.0
21.20	21.10	6/5V2120F	F	A-3	1 5/16	3 3/4	81.0						
23.60	23.50	6/5V2360J	J	B-3	1 1/4	4 5/8	117.5						
28.00	27.90	6/5V2800J	J	B-3	1 1/4	4 5/8	125.0						
31.50	31.40	6/5V3150J	J	B-3	1 1/4	4 5/8	200.0						
37.50	37.40	6/5V3750J	J	B-3	1 1/4	4 5/8	235.0						
50.00	49.90	6/5V5000M	M	C-3	3/4	6 3/4	330.0						

Note: Cast iron sheaves may not exceed 6500 FPM.
This speed **DOES NOT** specify if dynamic balancing
(2 plane) is required. Contact customer service to verify
whether dynamic balancing is required.

QD Bushing Sheaves

Cast Iron Sheaves - **Heavy Duty**
Bushed, **Eight and Ten Groove**
Order part number size
Example: 8/5V710SF

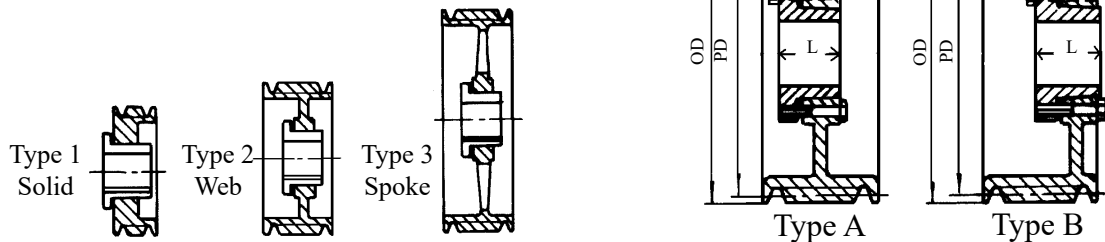


For 5V & 5VX Belts

See pages 113, 115 & 116.

Order QD bushings separately.

Stock Bushings Located on Pages 84-85.

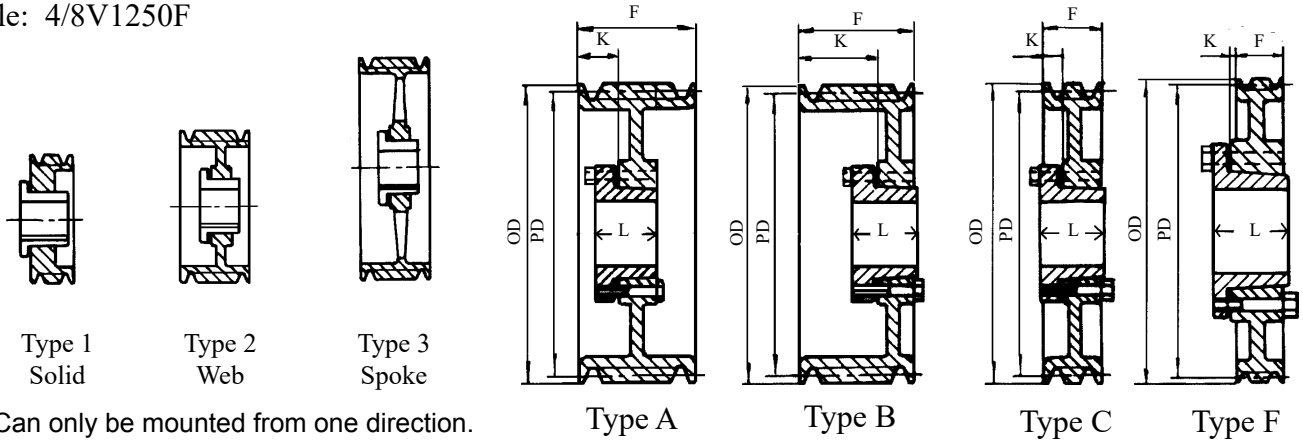


Diameters		8 Groove F = 5 13/16						10 Groove F = 7 3/16					
O.D.	P.D.	Part No.	Bush	Type	K	L	WT.	Part No.	Bush	Type	K	L	WT.
7.10	7.00	8/5V710SF	SF	A-1	2 1/8	2 1/16	20.7						
7.50	7.40	8/5V750SF	SF	A-1	2 1/8	2 1/16	23.1						
8.00	7.90	8/5V800E	E	A-1	2 1/2	2 3/4	26.8	10/5V800E	E	A-1	3 1/4	2 3/4	30.9
8.50	8.40	8/5V850E	E	A-1	2 1/2	2 3/4	29.5	10/5V850E	E	A-1	3 1/4	2 3/4	34.9
9.00	8.90	8/5V900E	E	A-1	2 1/2	2 3/4	35.0	10/5V900F	F	A-1	3 5/16	3 3/4	43.7
9.25	9.15	8/5V925F	F	A-1	2 9/16	3 3/4	40.5	10/5V925F	F	A-1	3 5/16	3 3/4	45.6
9.75	9.65	8/5V975F	F	A-1	2 9/16	3 3/4	46.0	10/5V975F	F	A-1	3 5/16	3 3/4	51.0
10.30	10.20	8/5V1030F	F	A-1	2 9/16	3 3/4	47.3	10/5V1030F	F	A-1	3 5/16	3 3/4	59.0
10.90	10.80	8/5V1090F	F	A-2	2 9/16	3 3/4	48.5	10/5V1090F	F	A-2	3 5/16	3 3/4	65.5
11.30	11.20	8/5V1130F	F	A-2	2 9/16	3 3/4	50.0	10/5V1130F	F	A-2	3 5/16	3 3/4	60.8
11.80	11.70	8/5V1180F	F	A-2	2 9/16	3 3/4	53.0	10/5V1180F	F	A-2	3 5/16	3 3/4	63.0
12.50	12.40	8/5V1250F	F	A-2	2 9/16	3 3/4	56.3	10/5V1250J	J	A-2	3 9/16	4 5/8	71.3
13.20	13.10	8/5V1320F	F	A-3	2 9/16	3 3/4	59.0	10/5V1320J	J	A-2	3 9/16	4 5/8	79.5
14.00	13.90	8/5V1400F	F	A-3	2 9/16	3 3/4	63.5	10/5V1400J	J	A-2	3 9/16	4 5/8	88.0
15.00	14.90	8/5V1500F	F	A-3	2 9/16	3 3/4	68.0	10/5V1500J	J	A-2	3 9/16	4 5/8	94.5
16.00	15.90	8/5V1600F	F	A-3	2 9/16	3 3/4	74.0	10/5V1600J	J	A-3	3 9/16	4 5/8	101.2
18.70	18.60	8/5V1870J	J	A-3	1 9/16	4 5/8	94.0	10/5V1870J	J	A-3	1 9/16	4 5/8	109.6
21.20	21.10	8/5V2120J	J	A-3	1 9/16	4 5/8	106.0	10/5V2120J	J	A-3	1 9/16	4 5/8	122.0
23.60	23.50	8/5V2360J	J	A-3	1 9/16	4 5/8	120.0	10/5V2360M	M	B-3	1 15/16	6 3/4	174.0
28.00	27.90	8/5V2800J	J	A-3	1 9/16	4 5/8	145.0	10/5V2800M	M	B-3	1 15/16	6 3/4	214.0
31.50	31.40	8/5V3150M	M	B-3	5/8	6 3/4	196.2	10/5V3150M	M	B-3	1 15/16	6 3/4	238.0
37.50	37.40	8/5V3750M	M	B-3	5/8	6 3/4	248.0	10/5V3750M	M	B-3	1 15/16	6 3/4	283.0
50.00	49.90	8/5V5000M	M	B-3	5/8	6 3/4	367.0	10/5V5000M	M	B-3	1 15/16	6 3/4	427.0

Note: Cast iron sheaves may not exceed 6500 FPM.
This speed **DOES NOT** specify if dynamic balancing
(2 plane) is required. Contact customer service to verify
whether dynamic balancing is required.

Cast Iron Sheaves - Heavy Duty
Bushed, **Four, Five, Six and Seven Groove**
8V QD Sheaves
Order part number size
Example: 4/8V1250F

For 8V Belts. See pages 113, 117 & 118.
Order QD bushings separately.
Stock Bushings Located on Pages 84-85.



Diameters		4 Groove F = 4 7/8						5 Groove F = 6					
O.D.	P.D.	Part No.	Bush	Type	K	L	WT.	Part No.	Bush	Type	K	L	WT.
12.50	12.30	4/8V1250F	F	A-1	1 3/16	3 3/4	60.0	5/8V1250F	F	A-1	2 5/16	3 3/4	82.8
13.20	13.00	4/8V1320F	F	A-2	1 3/16	3 3/4	64.0	5/8V1320F	F	A-2	2 5/16	3 3/4	96.0
14.00	13.80	4/8V1400F	F	A-2	1 3/16	3 3/4	68.3	5/8V1400F	F	A-2	2 5/16	3 3/4	81.0
15.00	14.80	4/8V1500F	F	A-2	1 3/16	3 3/4	72.6	5/8V1500F	F	A-2	2 5/16	3 3/4	84.5
16.00	15.80	4/8V1600F	F	A-2	1 3/16	3 3/4	77.0	5/8V1600F	F	A-2	2 5/16	3 3/4	95.5
17.00	16.80	4/8V1700F	F	A-3	1 3/16	3 3/4	83.5	5/8V1700J	J	A-3	2	4 5/8	104.5
18.00	17.80	4/8V1800F	F	A-3	1 3/16	3 3/4	90.0	5/8V1800J	J	A-3	2	4 5/8	115.2
19.00	18.80	4/8V1900F	F	A-3	1 3/16	3 3/4	112.0	5/8V1900J	J	A-3	2	4 5/8	122.0
20.00	19.80	4/8V2000J	J	A-3	1 7/16	4 5/8	114.0	5/8V2000J	J	A-3	2	4 5/8	133.0
21.20	21.00	4/8V2120J	J	A-3	1 7/16	4 5/8	140.0	5/8V2120J	J	A-3	2	4 5/8	140.0
22.40	22.20	4/8V2240J	J	A-3	1 7/16	4 5/8	150.0	5/8V2240M	M	B-3	13/16	6 3/4	182.0
24.80	24.60	4/8V2480M	M	F-3	5/16	6 3/4	211.0	5/8V2480M	M	B-3	13/16	6 3/4	201.0
30.00	29.80	4/8V3000M	M	F-3	5/16	6 3/4	264.0	5/8V3000M	M	B-3	13/16	6 3/4	254.0
35.50	35.30	4/8V3550M	M	F-3	5/16	6 3/4	367.0	5/8V3550M	M	B-3	13/16	6 3/4	298.0
40.00	39.80	4/8V4000M	M	F-3	5/16	6 3/4	300.0	5/8V4000M	M	B-3	13/16	6 3/4	337.0
44.50	44.30	4/8V4450M	M	C-3	13/16	6 3/4	350.0	5/8V4450N	N	C-3	15/16	8 1/8	375.0
53.00	52.80	4/8V5300M	M	C-3	13/16	6 3/4	400.0	5/8V5300N	N	F-3	1/4	8 1/8	625.0
Diameters		6 Groove F = 7 1/8						7 Groove F = 8 1/4					
O.D.	P.D.	Part No.	Bush	Type	K	L	WT.	Part No.	Bush	Type	K	L	WT.
12.50	12.30	6/8V1250F	F	A-1	2 5/16	3 3/4	81.0	7/8V1250J	J	A-1	3 9/16	4 5/8	113.0
13.20	13.00	6/8V1320F	F	A-1	2 5/16	3 3/4	85.4	7/8V1320J	J	A-2	3 9/16	4 5/8	127.0
14.00	13.80	6/8V1400F	F	A-1	2 5/16	3 3/4	96.0	7/8V1400J	J	A-2	3 9/16	4 5/8	123.0
15.00	14.80	6/8V1500J	J	A-1	2 9/16	4 5/8	110.0	7/8V1500J	J	A-1	3 15/16	4 5/8	142.0
16.00	15.80	6/8V1600J	J	A-1	2 9/16	4 5/8	118.0	7/8V1600J	J	A-2	3 15/16	4 5/8	160.0
17.00	16.80	6/8V1700J	J	A-2	2 9/16	4 5/8	126.0	7/8V1700M	M	A-2	3 15/16	6 3/4	226.0
18.00	17.80	6/8V1800J	J	A-2	2 9/16	4 5/8	133.0	7/8V1800M	M	A-2	3 15/16	6 3/4	228.0
19.00	18.80	6/8V1900J	J	A-2	2 9/16	4 5/8	157.0	7/8V1900M	M	A-2	3 15/16	6 3/4	220.0
20.00	19.80	6/8V2000M	M	B-2	15/16	6 3/4	185.0	7/8V2000M	M	A-2	3 15/16	6 3/4	210.0
21.20	21.00	6/8V2120M	M	B-2	1 15/16	6 3/4	194.0						
22.40	22.20	6/8V2240M	M	B-3	1 15/16	6 3/4	221.0						
24.80	24.60	6/8V2480M	M	B-3	1 15/16	6 3/4	248.0						
30.00	29.80	6/8V3000M	M	B-3	1 15/16	6 3/4	276.0						
35.50	35.30	6/8V3550N	N	C-3	1 1/8	8 1/8	444.0						
40.00	39.80	6/8V4000N	N	C-3	1 1/8	8 1/8	519.0						
44.50	44.30	6/8V4450N	N	C-3	7/8	8 1/8	600.0						
53.00	52.80	6/8V5300N	N	C-3	7/8	8 1/8	768.0						
63.00	62.80	*6/8V6300P	P	C-3	2	9 3/8	890.0						
71.00	70.80	*6/8V7100P	P	C-3	2	9 3/8	1000.0						

Note: Cast iron sheaves may not exceed 6500 FPM. This speed **DOES NOT** specify if dynamic balancing (2 plane) is required. Contact customer service to verify whether dynamic balancing is required.

QD Bushing Sheaves

Cast Iron Sheaves - **Heavy Duty**
Bushed, **Eight and Ten Groove**

Order part number size

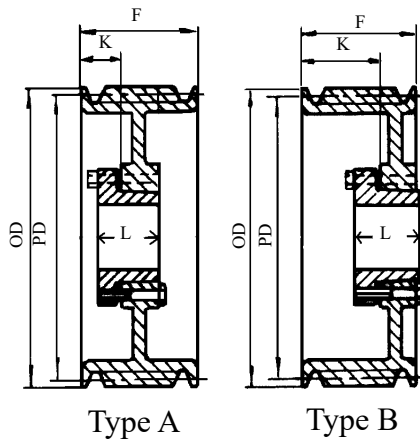
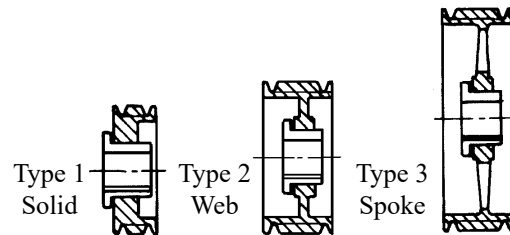
Example: 8/8V1250J

For 8V Belts.

See pages 113, 117 & 118.

Order QD bushings separately.

Stock Bushings Located on Pages 84-85.



Diameters		8 Groove F = 9 3/8						10 Groove F = 11 5/8					
O.D.	P.D.	Part No.	Bush	Type	K	L	WT.	Part No.	Bush	Type	K	L	WT.
12.50	12.30	8/8V1250J	J	A-1	3 9/16	4 5/8	117.0	10/8V1250J	J	A-1	3 9/16	4 5/8	134.0
13.20	13.00	8/8V1320J	J	A-2	3 9/16	4 5/8	131.0	10/8V1320J	J	A-2	3 9/16	4 5/8	150.5
14.00	13.80	8/8V1400J	J	A-2	3 9/16	4 5/8	127.0	10/8V1400J	J	A-2	3 9/16	4 5/8	167.0
15.00	14.80	8/8V1500J	J	A-1	3 15/16	4 5/8	146.0	10/8V1500M	M	A-1	3 15/16	6 3/4	225.0
16.00	15.80	8/8V1600J	J	A-2	3 15/16	4 5/8	162.0	10/8V1600M	M	A-2	3 15/16	6 3/4	263.0
17.00	16.80	8/8V1700M	M	A-2	3 15/16	6 3/4	228.0	10/8V1700M	M	A-2	3 15/16	6 3/4	267.5
18.00	17.80	8/8V1800M	M	A-2	3 15/16	6 3/4	230.0	10/8V1800M	M	A-2	3 15/16	6 3/4	272.0
19.00	18.80	8/8V1900M	M	A-2	3 15/16	6 3/4	222.0	10/8V1900M	M	A-2	3 15/16	6 3/4	269.0
20.00	19.80	8/8V2000M	M	A-2	3 15/16	6 3/4	213.0	10/8V2000M	M	A-2	3 15/16	6 3/4	253.0
21.20	21.00	8/8V2120M	M	A-2	3 15/16	6 3/4	230.0	10/8V2120M	M	A-2	3 15/16	6 3/4	267.0
22.40	22.20	8/8V2240M	M	A-2	3 15/16	6 3/4	244.0	10/8V2240N	N	A-2	2 1/4	8 1/8	332.0
24.80	24.60	8/8V2480N	N	A-3	2 1/4	8 1/8	365.7	10/8V2480N	N	A-3	2 1/4	8 1/8	356.0
30.00	29.80	8/8V3000N	N	A-3	2 1/4	8 1/8	410.0	10/8V3000N	N	A-3	2 1/4	8 1/8	425.0
35.50	35.30	8/8V3550N	N	A-3	2 1/4	8 1/8	508.0	*10/8V3550P	P	A-3	2 5/8	9 3/8	635.0
40.00	39.80	8/8V4000N	N	A-3	2 1/4	8 1/8	592.0	*10/8V4000P	P	A-3	2 5/8	9 3/8	754.0
44.50	44.30	*8/8V4450P	P	B-3	2 5/8	9 3/8	860.0	*10/8V4450P	P	A-3	2 5/8	9 3/8	813.5
53.00	52.80	*8/8V5300P	P	B-3	2 5/8	9 3/8	992.0	*10/8V5300P	P	A-3	1 3/4	9 3/8	1137.0
63.00	62.80	*8/8V6300P	P	B-3	2 5/8	9 3/8	1050.0	*10/8V6300W	W	A-3	2 5/8	11 3/8	1500.0
71.00	70.80	*8/8V7100W	W	B-3	2 1/4	11 3/8	1808.0	*10/8V7100W	W	A-3	2 5/8	11 3/8	1916.0

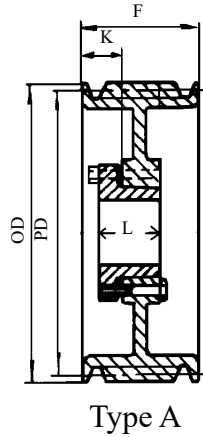
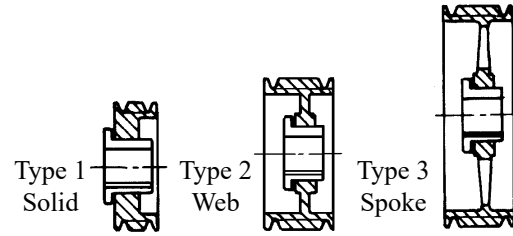
* = Can only be mounted from one direction.

Note: Cast iron sheaves may not exceed 6500 FPM.

This speed **DOES NOT** specify if dynamic balancing (2 plane) is required. Contact customer service to verify whether dynamic balancing is required.

9 Groove & Severe Duty Ductile Iron Sheaves (Max Rim Speed = 8,000FPM) are available upon request.

Cast Iron Sheaves - **Heavy Duty**
Bushed, **Twelve Groove**
Order part number size
Example: 12/8V1250M
For 8V Belts.
See pages 113, 117 & 118.
Order QD bushings separately.
Stock Bushings Located on Pages 84-85.



Diameters		12 Groove F = 13 7/8					
O.D.	P.D.	Part No.	Bush	Type	K	L	WT.
12.50	12.30	12/8V1250M	M	A-1	3 15/16	6 3/4	198.4
13.20	13.00	12/8V1320M	M	A-1	3 15/16	6 3/4	220.5
14.00	13.80	12/8V1400M	M	A-1	3 15/16	6 3/4	242.5
15.00	14.80	12/8V1500M	M	A-1	3 15/16	6 3/4	275.6
16.00	15.80	12/8V1600M	M	A-1	3 15/16	6 3/4	313.1
17.00	16.80	12/8V1700M	M	A-1	3 15/16	6 3/4	348.3
18.00	17.80	12/8V1800M	M	A-2	3 15/16	6 3/4	352.7
19.00	18.80	12/8V1900N	N	A-2	2 1/16	8 1/8	396.8
20.00	19.80	12/8V2000N	N	A-2	2 1/16	8 1/8	421.1
21.20	21.00	12/8V2120N	N	A-2	2 1/16	8 1/8	452.0
22.40	22.20	12/8V2240N	N	A-2	2 1/16	8 1/8	485.0
24.80	24.60	12/8V2480N	N	A-2	2 1/16	8 1/8	515.9
30.00	29.80	*12/8V3000P	P	A-3	2 3/8	9 3/8	646.0
35.50	35.30	*12/8V3550P	P	A-3	2 3/8	9 3/8	754.0
35.50	35.30	*12/8V3550W	W	A-3	2 3/8	11 3/8	869.1
40.00	39.80	*12/8V4000P	P	A-3	2 3/8	9 3/8	870.9
44.50	44.30	*12/8V4450P	P	A-3	2 3/8	9 3/8	992.1
53.00	52.80	*12/8V5300W	W	A-3	2 5/8	11 3/8	1410.0
63.00	62.80	*12/8V6300W	W	A-3	2 7/8	11 3/8	1700.0
71.00	70.80	*12/8V7100W	W	A-3	2 7/8	11 3/8	2000.0

* = Can only be mounted from one direction.
Note: Cast iron sheaves may not exceed 6500 FPM.
This speed **DOES NOT** specify if dynamic balancing (2 plane) is required. Contact customer service to verify whether dynamic balancing is required.

Severe Duty Ductile Iron Sheaves
(Max Rim Speed = 8,000FPM) are available upon request.